

## MINIMAT Screwdrivers

The basic solution for almost all screwdriving tasks

angle head design – torque from 0.3 - 67 Nm / 2.7 to 593 in.lbs


- highly accurate shut-off clutch
- for limited space
- durable
- robust

The particular strength of a MINIMAT screwdriver in angle design is that it can carry out screw assemblies with torque ranges of 0.3 Nm to 67 Nm. In these ranges you can not only assemble screws but also adjust them.

The ergonomic MINIMAT screwdriver is extremely durable due to its extraordinary processing quality and design for heavy industrial use.

The MINIMAT clutch works with the tried and tested principle of a mechanical separation and shut-off clutch.

**Screwdriver Spindles pneumatic**



**Motor Size 2**

**Motor Size 3**

**Motor Size 4**

The highly precise shut-off clutch allows torque precision of  $\leq 3\%$  standard deviation, which is maintained for millions of assemblies.

When used under the correct conditions DEPRAG pneumatic screwdrivers with shut-off clutch conform with a Cmk value of  $\geq 1.67$  with 15% tolerance in relation to 6 Sigma according to ISO 5393.

The MINIMAT spindles can be easily integrated and are extremely small. They are available in right rotation and reversible.

These tools can be used without lubrication: This should however only be done in specific applications. Using a tool without lubrication will decrease its lifespan.

The DEPRAG stationary screwdriver spindles with angle head design are preferably used for assemblies in tight areas.

Screwdriver Style		Motor Size 2		
Spindle right rotation Remote Start	<b>Type</b> Part no.	<b>377-320-7-E6.3</b> 200616B	<b>377-420-7-E6.3</b> 200616D	<b>377-520-7-E6.3</b> 200616C
Spindle end Suitable tool inserts with		External Square Drive DIN 3121 - E6.3 (1/4") Internal Square Drive DIN 3121 - G6.3 (1/4")		
Spindle right rotation Remote Start	<b>Type</b> Part no.	<b>377-320-7-F6.3</b> 2006161B	<b>377-420-7-F6.3</b> 2006161D	<b>377-520-7-F6.3</b> 2006161C
Spindle end Suitable tool inserts with		Internal hex. Drive DIN ISO 1173 - F6.3 (1/4") with quick change chuck External hex. Drive DIN ISO 1173 - E6.3 (1/4")		
Torque min.	Nm / in.lbs	0.4 / 3.5	0.4 / 3.5	0.3 / 2.7
Torque max.	Nm / in.lbs	3.6 / 31.9	4.5 / 39.8	6.5 / 57.5
Speed, idling	rpm	1070	710	470
Air consumption	m <sup>3</sup> /min / cfm	0.3 / 11	0.3 / 11	0.3 / 11
Weight	kg / lbs	0.9 / 2	0.9 / 2	0.9 / 2
Hose for air supply (O.D./I.D.)	mm / in.	8 / 5.5 (.314 / <sup>7</sup> / <sub>32</sub> )	8 / 5.5 (.314 / <sup>7</sup> / <sub>32</sub> )	8 / 5.5 (.314 / <sup>7</sup> / <sub>32</sub> )
Hose for function control (O.D./I.D.)	mm / in.	4 / 2.5 (.157 / <sup>3</sup> / <sub>32</sub> )	4 / 2.5 (.157 / <sup>3</sup> / <sub>32</sub> )	4 / 2.5 (.157 / <sup>3</sup> / <sub>32</sub> )
Noise level	dB (A)	72	72	72

Screwdriver Style		Motor Size 2		
Spindle reversible Remote Start	<b>Type</b> Part no.	<b>377-320-7U-E6.3</b> 200633B	<b>377-420-7U-E6.3</b> 200633D	<b>377-520-7U-E6.3</b> 200633C
Spindle end Suitable tool inserts with		External Square Drive DIN 3121 - E6.3 (1/4") Internal Square Drive DIN 3121 - G6.3 (1/4")		
Spindle reversible Remote Start	<b>Type</b> Part no.	<b>377-320-7U-F6.3</b> 2006331B	<b>377-420-7U-F6.3</b> 2006331D	<b>377-520-7U-F6.3</b> 2006331C
Spindle end Suitable tool inserts with		Internal hex. Drive DIN ISO 1173 - F6.3 (1/4") with quick change chuck External hex. Drive DIN ISO 1173 - E6.3 (1/4")		
Torque min.	Nm / in.lbs	0.4 / 3.5	0.4 / 3.5	0.3 / 2.7
Torque max.	Nm / in.lbs	3.6 / 31.9	4.5 / 39.8	6.5 / 57.5
Speed, idling	rpm	780	580	360
Air consumption	m <sup>3</sup> /min / cfm	0.3 / 11	0.3 / 11	0.3 / 11
Weight	kg / lbs	0.93 / 2	0.93 / 2	0.93 / 2
Hose for air supply (O.D./I.D.)	mm / in.	8 / 5.5 (.314 / <sup>7</sup> / <sub>32</sub> )	8 / 5.5 (.314 / <sup>7</sup> / <sub>32</sub> )	8 / 5.5 (.314 / <sup>7</sup> / <sub>32</sub> )
Hose for function control (O.D./I.D.)	mm / in.	4 / 2.5 (.157 / <sup>3</sup> / <sub>32</sub> )	4 / 2.5 (.157 / <sup>3</sup> / <sub>32</sub> )	4 / 2.5 (.157 / <sup>3</sup> / <sub>32</sub> )
Noise level	dB (A)	76	76	76

Performance data relate to an air pressure of 6.3 bar (90 PSI)

▶ Please find suitable accessories on page 7.      ▶ Please also find suitable tool inserts in our brochure D3320E.



## TECHNICAL DATA

Screwdriver Style		Motor Size 3			
Spindle right rotation	<b>Type</b>	<b>377-230-7-E10</b>	<b>377-730-7-E10</b>	<b>377-330-7-E10</b>	<b>377-430-7-E10</b>
Remote Start	Part no.	200941B	200941C	200941D	200941E
Spindle end		External Square Drive DIN 3121 - E10 (3/8")			
Suitable tool inserts with		Internal Square Drive DIN 3121 - G10 (3/8")			
Torque min.	Nm / in.lbs	4 / 35.4	4 / 35.4	4 / 35.4	4 / 35.4
Torque max.	Nm / in.lbs	7 / 62	12 / 106.2	20 / 177	35 / 309.8
Speed, idling	rpm	1500	840	450	240
Air consumption	m <sup>3</sup> /min / cfm	0.45 / 16	0.45 / 16	0.45 / 16	0.45 / 16
Weight	kg / lbs	1.9 / 4.2	1.9 / 4.2	1.9 / 4.2	1.9 / 4.2
Hose for air supply (O.D./I.D.)	mm / in.	10 / 7 (3/8 / .273)	10 / 7 (3/8 / .273)	10 / 7 (3/8 / .273)	10 / 7 (3/8 / .273)
Hose for function control (O.D./I.D.)	mm / in.	4 / 2.5 (.157 / 3/32)	4 / 2.5 (.157 / 3/32)	4 / 2.5 (.157 / 3/32)	4 / 2.5 (.157 / 3/32)
Noise level	dB (A)	79	79	79	79

Screwdriver Style		Motor Size 3			
Spindle reversible	<b>Type</b>	<b>377-230-7U-E10</b>	<b>377-730-7U-E10</b>	<b>377-330-7U-E10</b>	<b>377-430-7U-E10</b>
Remote Start	Part no.	200619B	200619C	200619D	200619E
Spindle end		External Square Drive DIN 3121 - E10 (3/8")			
Suitable tool inserts with		Internal Square Drive DIN 3121 - G10 (3/8")			
Torque min.	Nm / in.lbs	4 / 35.4	4 / 35.4	4 / 35.4	4 / 35.4
Torque max.	Nm / in.lbs	6.5 / 57.5	10 / 88.5	19 / 168.2	32 / 283.2
Speed, idling	rpm	1400	730	365	190
Air consumption	m <sup>3</sup> /min / cfm	0.45 / 16	0.45 / 16	0.45 / 16	0.45 / 16
Weight	kg / lbs	2.15 / 4.7	2.15 / 4.7	2.15 / 4.7	2.15 / 4.7
Hose for air supply (O.D./I.D.)	mm / in.	10 / 7 (3/8 / .273)	10 / 7 (3/8 / .273)	10 / 7 (3/8 / .273)	10 / 7 (3/8 / .273)
Hose for function control (O.D./I.D.)	mm / in.	4 / 2.5 (.157 / 3/32)	4 / 2.5 (.157 / 3/32)	4 / 2.5 (.157 / 3/32)	4 / 2.5 (.157 / 3/32)
Noise level	dB (A)	79	79	79	79

Performance data relate to an air pressure of 6.3 bar (90 PSI)

Please find suitable accessories on page 7.

Please also find suitable tool inserts in our brochure D3320E.



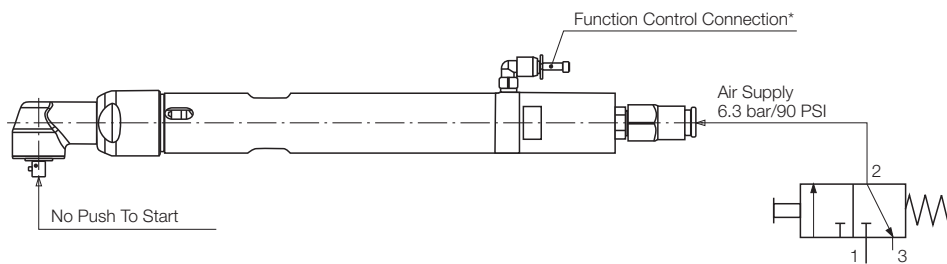
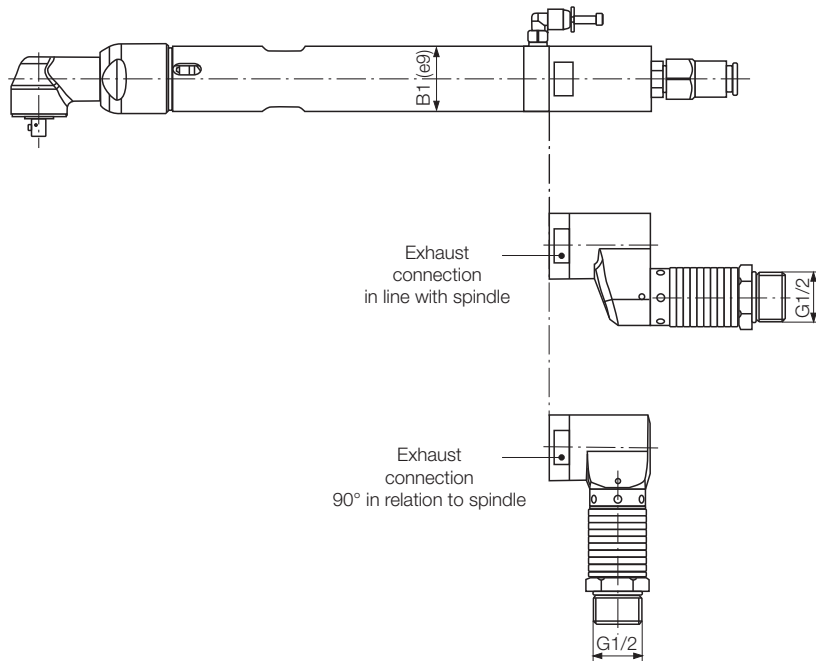


## Included in delivery of the screwdriver

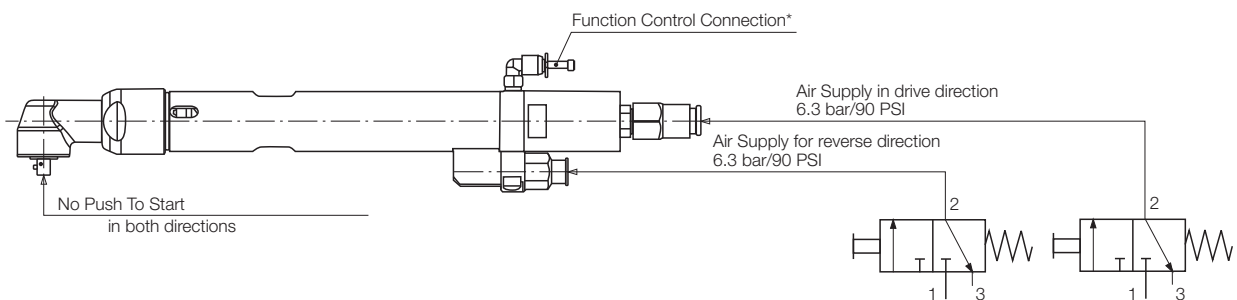
Set of coupler and connector plugs · Torque and adjustment tool · Assortment of clutch springs

## Optional Equipment

suitable for		Motor Size 2	Motor Size 3 right rotation / reversible	Motor Size 4
Exhaust connection in line with spindle	Part no.	386924A	386924A / 386924C	351820R
90° in relation to spindle	Part no.	386924B	386924B / 386924D	351820U



Remote Start (3/2-way valve)  
Driver with one way rotation - right rotation.



Remote Start (3/2-way valve) in drive direction and in reverse.  
Driver reversible, Torque adjustable in drive direction. In reverse direction tool drives with full power.

\*) During drive cycle the Function Control Line is under pressure (approx. 2 bar).