

# ROTARY DISTRIBUTORS

## SERIES DVR1000

### ▶ PRODUCT ADVANTAGES



#### ▶ Rotary distributor with Industrial Ethernet

The integrated slip ring lets you transmit future-ready Industrial Ethernet to your machine for the first time with complete process reliability

#### ▶ 8x integrated air-feed-through

Keep wear to a minimum and eliminate undefined interference contours from your hose package in order to use your machine's installation space more effectively

#### ▶ Double bearings

The integrated roller bearings provide high stiffness and allows you to maximize the operational dynamics of your robot, improving your cycle times

### ▶ THE BEST PRODUCT FOR YOUR APPLICATION



#### ▶ Our products welcome the challenge!

Extreme conditions, all over the world—our tried and tested components and systems give you endless possibilities.

Find the best product for your specific use:

[www.zimmer-group.com](http://www.zimmer-group.com)

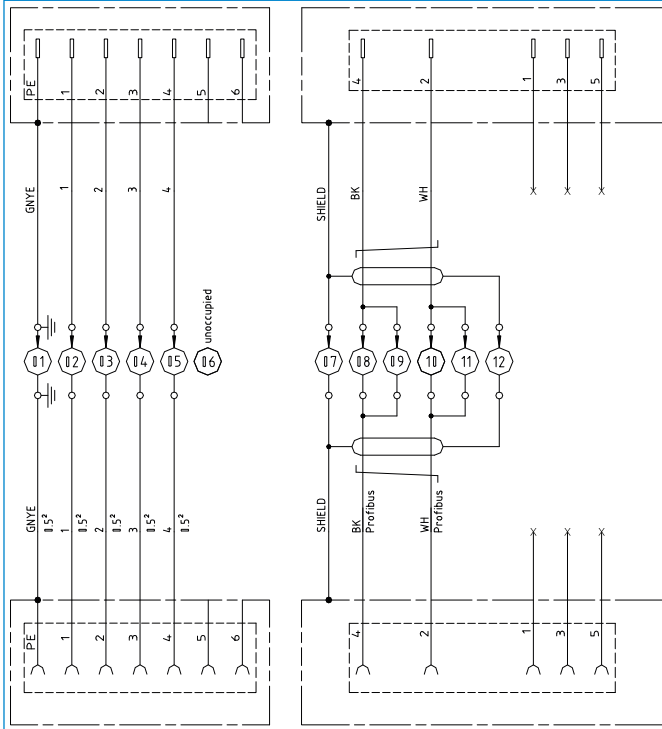
#### HOW TO ORDER CORRECTLY

- ▶ The product order numbers are arranged according to this diagram:

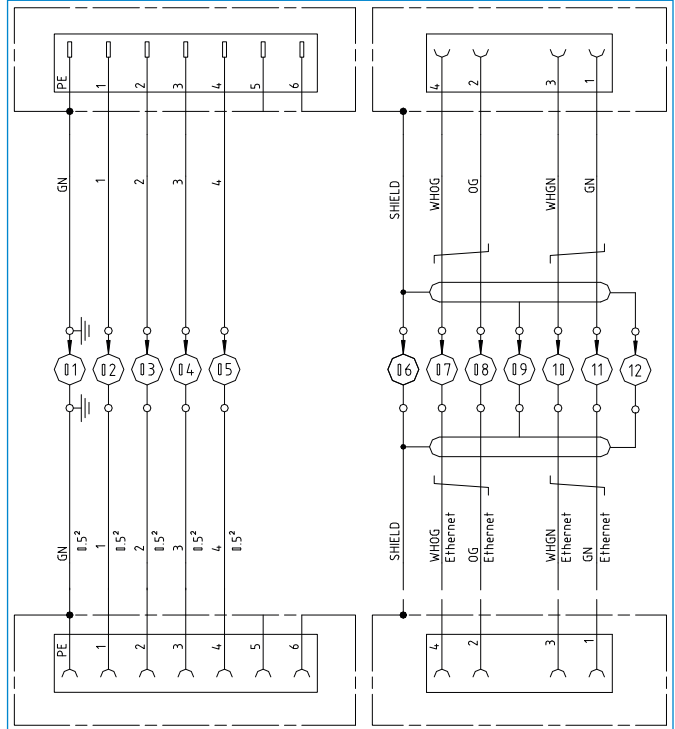
Order no.	DVR1125	<input type="checkbox"/>		
Profibus		PB		
Industrial Ethernet		PN		

## CONNECTION DIAGRAM

DVR1125PB



DVR1125PN



## FURTHER INFORMATION IS AVAILABLE ONLINE



### Technical Information

All information just a click away at: [www.zimmer-group.com](http://www.zimmer-group.com)

Find data, illustrations, 3D models and operating instructions for your installation size using the order number for your desired product.

Quick, clear and always up-to-date.



# ROTARY DISTRIBUTORS

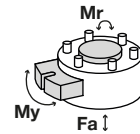
## INSTALLATION SIZE DVR1125

### ▶ PRODUCT SPECIFICATIONS



#### ▶ Forces and moments

Shows static forces and moments which may impact on the rotary distributor.



Mr [Nm]	900
My [Nm]	900
Fa [N]	7000

### ▶ INCLUDED IN DELIVERY



Cylinder Screw

C7984100209



O-Ring

COR0070150



O-ring  
145x2.5

COR1450250

### ▶ RECOMMENDED ACCESSORIES

► Technical Data

Order no.	DVR1125PB	DVR1125PN
Connecting flange according EN ISO 9409-1	TK 125	TK 125
Recommended handling weight [kg]	200	200
Pneumatic energy transfer [Quantity]*	8	8
Bus protocol	Profibus	Industrial Ethernet
Data rate	12	100
Electrical energy transfer	4 + PE	4 + PE
Max. current [A]	9	9
Max. voltage [V]	250	250
Maximum acceleration [m/s <sup>2</sup> ]	20	20
Maximum speed [1/min.]	100	100
Maximum speed [°/s]	600	600
Radial run out +/- [mm]	0.05	0.05
Axial run out +/- [mm]	0.05	0.05
Constant torque [Nm]	4	4
Loose torque [Nm]	5	5
Operating pressure max. [bar]	10	10
Operating temperature [°C]	5 ... +80	5 ... +80
Moment of inertia [kg/cm <sup>2</sup> ]	370	370
Protection to IEC 60529	IP64	IP64
Weight [kg]	8.5	8.5

\*Vacuum possible

Technical drawings of the DVR1125 rotary distributor, including top, side, and perspective views with dimension lines and callouts.

- Top view: Shows overall dimensions including  $\varnothing 164h8$ ,  $\varnothing 125$  ( $\pm 0.02 \varnothing 10H7$ ),  $\varnothing 95$ ,  $3 \times 24^\circ$ , and  $8 \times M6$  (4).
- Side view: Shows dimensions  $8 \times G1/8''$ ,  $\varnothing 80h7$ ,  $4.5$ ,  $12$ ,  $100$ ,  $8$ ,  $22$ , and  $11$ .
- Bottom view: Shows dimensions  $6 \times 60^\circ$ ,  $30^\circ$ ,  $\varnothing 10H7x12$  (1),  $6 \times M10$  DIN7984 (1), and  $\varnothing 125$  ( $\pm 0.02 \varnothing 10H7$ ).

Legend:

- 1 Fixing (robot side)
- 4 Integrated air feed-through
- 11 Fixing tool side
- 17 Torque brace
- 19 Electrical energy transfer robot side
- 20 Electrical energy transfer tool side
- 21 Assembly window
- 38 Tool changer
- 39 Adapter

Hoseless air passage (tool):

Ø10  
M6  
Ø5  
1.2  
O-Ring Ø7x1.5

21