

# ROTARY DISTRIBUTORS

## SERIES DVR

### ▶ PRODUCT ADVANTAGES



#### ▶ **Compact media transfer system**

This D1 media exchanger makes cable breaks and undefined interference contours through the power supply line a thing of the past

#### ▶ **Flat design**

This structure reduces the moment load for your robot to a minimum and makes it possible to use smaller and more affordable sizes

#### ▶ **Gold contact**

Allows flexibility for transmission because you can transfer everything from the smallest flows up to 250 volts and 6 amps with process reliability

### ▶ THE BEST PRODUCT FOR YOUR APPLICATION



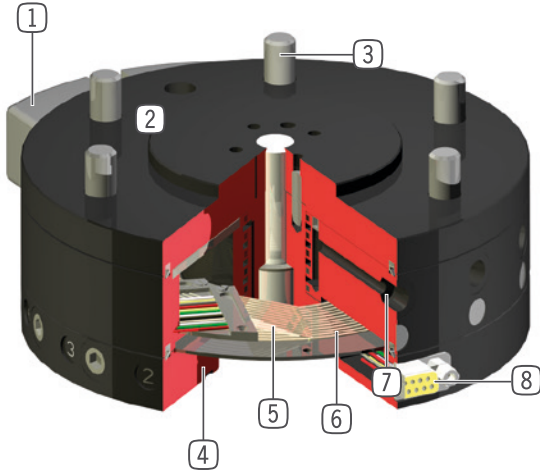
#### ▶ **Our products welcome the challenge!**

Extreme conditions, all over the world—our tried and tested components and systems give you endless possibilities.

Find the best product for your specific use:

[www.zimmer-group.com](http://www.zimmer-group.com)

## ► BENEFITS IN DETAIL



- ① **Torque brace**
  - supports the rotor during rotation (movement)
- ② **Robust, lightweight housing**
  - Hard-coated aluminum alloy
  - nitrated steel
- ③ **Robot flange**
  - partial mounting circle in accordance with EN ISO 9409-1
- ④ **Direct air connection**
  - to WWR series
- ⑤ **Spring system**
  - from size DVR63 double fitting
- ⑥ **Collector ring**
  - hard gold coated
  - transferable to finest currents
- ⑦ **Up to 8 way integrated air feed-through**
  - for hoseless air transfer
  - hose package does not have to be pivoted
- ⑧ **Up to 12 pole energy transfer**
  - for cable-free signal transfer
  - no cables are subjected to torsion

## ► FURTHER INFORMATION IS AVAILABLE ONLINE



### ► Technical Information

All information just a click away at: [www.zimmer-group.com](http://www.zimmer-group.com)

Find data, illustrations, 3D models and operating instructions for your installation size using the order number for your desired product.

Quick, clear and always up-to-date.



# ROTARY DISTRIBUTORS

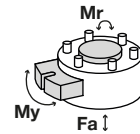
## INSTALLATION SIZE DVR125

### ▶ PRODUCT SPECIFICATIONS



#### ▶ Forces and moments

Shows static forces and moments which may impact on the rotary distributor.



Mr [Nm]	900
My [Nm]	900
Fa [N]	7000

### ▶ INCLUDED IN DELIVERY



Cylinder Screw

C7984100209



O-Ring

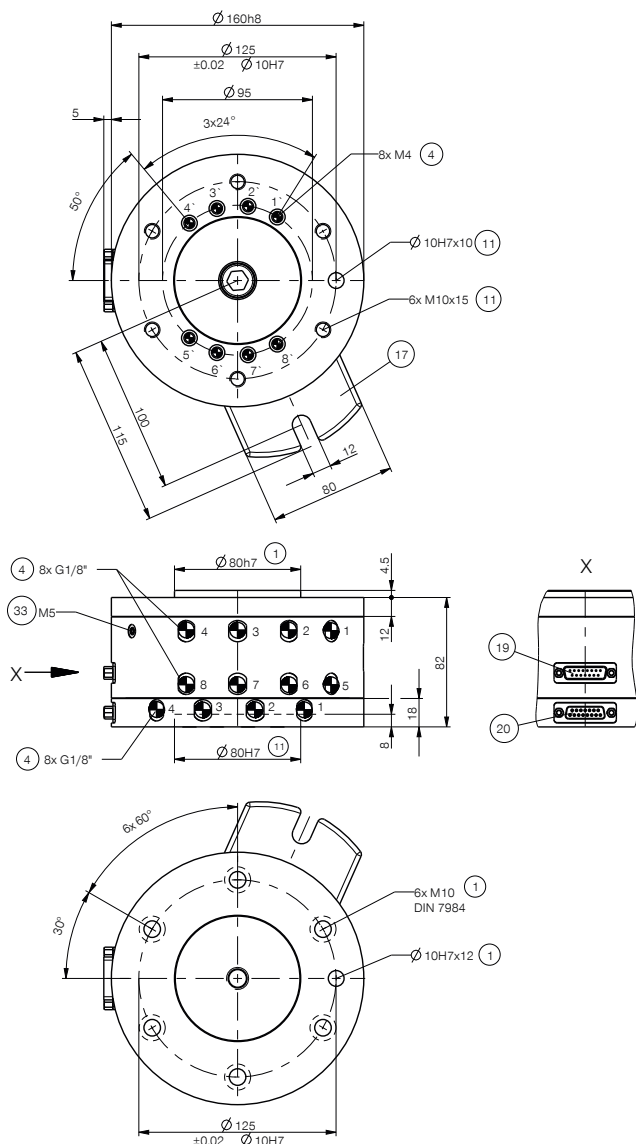
COR0070150

### ▶ RECOMMENDED ACCESSORIES

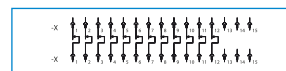
► Technical Data

Order no.	DVR125I4	DVR125I8
Connecting flange according EN ISO 9409-1	TK 125	TK 125
Recommended handling weight [kg]	200	200
Pneumatic energy transfer [Quantity]*	4	8
Electrical energy transfer	12-pole	12-pole
Max. current [A]	6	6
Max. voltage [V]	250	250
Maximum acceleration [m/s <sup>2</sup> ]	20	20
Maximum speed [1/min.]	100	100
Maximum speed [°/s]	600	600
Radial run out +/- [mm]	0.05	0.05
Axial run out +/- [mm]	0.05	0.05
Constant torque [Nm]	4	5
Loose torque [Nm]	5	6
Operating pressure max. [bar]	10	10
Operating temperature [°C]	5 ... +80	5 ... +80
Moment of inertia [kg/cm <sup>2</sup> ]	220	225
Protection to IEC 60529	IP64	IP64
Weight [kg]	5.9	7

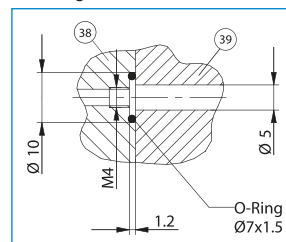
\*Vacuum possible



- ① Fixing (robot side)
- ④ Integrated air feed-through
- ⑪ Fixing tool side
- ⑰ Torque brace
- ⑲ Electrical energy transfer robot side
- ⑳ Electrical energy transfer tool side
- ⑳ Air purge connection option
- ⑳ Tool changer
- ⑳ Adapter



PIN assignment



Hoseless air passage (tool)

