

# ROTARY DISTRIBUTORS

## SERIES DVR

### ▶ PRODUCT ADVANTAGES



#### ▶ **Compact media transfer system**

This D1 media exchanger makes cable breaks and undefined interference contours through the power supply line a thing of the past

#### ▶ **Flat design**

This structure reduces the moment load for your robot to a minimum and makes it possible to use smaller and more affordable sizes

#### ▶ **Gold contact**

Allows flexibility for transmission because you can transfer everything from the smallest flows up to 250 volts and 6 amps with process reliability

### ▶ THE BEST PRODUCT FOR YOUR APPLICATION



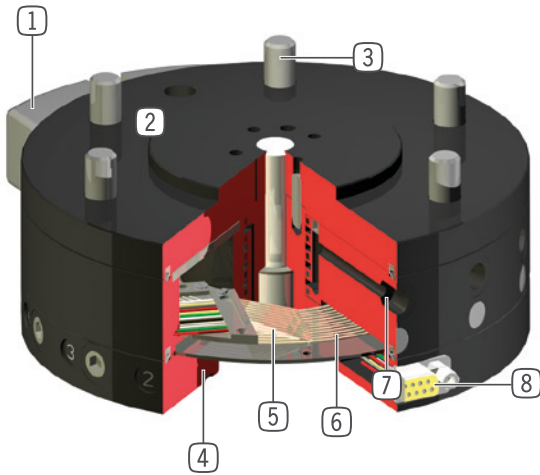
#### ▶ **Our products welcome the challenge!**

Extreme conditions, all over the world—our tried and tested components and systems give you endless possibilities.

Find the best product for your specific use:

[www.zimmer-group.com](http://www.zimmer-group.com)

► **BENEFITS IN DETAIL**



- ① **Torque brace**  
- supports the rotor during rotation (movement)
- ② **Robust, lightweight housing**  
- Hard-coated aluminum alloy  
- nitrated steel
- ③ **Robot flange**  
- partial mounting circle in accordance with EN ISO 9409-1
- ④ **Direct air connection**  
- to WWR series
- ⑤ **Spring system**  
- from size DVR63 double fitting
- ⑥ **Collector ring**  
- hard gold coated  
- transferable to finest currents
- ⑦ **Up to 8 way integrated air feed-through**  
- for hoseless air transfer  
- hose package does not have to be pivoted
- ⑧ **Up to 12 pole energy transfer**  
- for cable-free signal transfer  
- no cables are subjected to torsion

► **FURTHER INFORMATION IS AVAILABLE ONLINE**



► **Technical Information**

All information just a click away at: [www.zimmer-group.com](http://www.zimmer-group.com)  
 Find data, illustrations, 3D models and operating instructions for your installation size using the order number for your desired product.  
 Quick, clear and always up-to-date.



# ROTARY DISTRIBUTORS

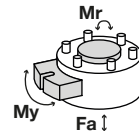
## INSTALLATION SIZE DVR160

### ▶ PRODUCT SPECIFICATIONS



#### ▶ Forces and moments

Shows static forces and moments which may impact on the rotary distributor.



Mr [Nm]	900
My [Nm]	900
Fa [N]	7000

### ▶ INCLUDED IN DELIVERY



Cylinder Screw

C7984100209



O-Ring

COR0070150

### ▶ RECOMMENDED ACCESSORIES

Order no.	Technical Data	
	DVR160I4	DVR160I8
Connecting flange according EN ISO 9409-1	TK 160	TK 160
Recommended handling weight [kg]	200	200
Pneumatic energy transfer [Quantity]*	4	8
Electrical energy transfer	12-pole	12-pole
Max. current [A]	6	6
Max. voltage [V]	250	250
Maximum acceleration [m/s <sup>2</sup> ]	20	20
Maximum speed [1/min.]	100	100
Maximum speed [°/s]	600	600
Radial run out +/- [mm]	0.05	0.05
Axial run out +/- [mm]	0.05	0.05
Constant torque [Nm]	4	5
Loose torque [Nm]	5	6
Operating pressure max. [bar]	10	10
Operating temperature [°C]	5 ... +80	5 ... +80
Moment of inertia [kg/cm <sup>2</sup> ]	480	580
Protection to IEC 60529	IP64	IP64
Weight [kg]	9.1	11

\*Vacuum possible

**Legend:**

- ① Fixing (robot side)
- ④ Integrated air feed-through
- ⑪ Fixing tool side
- ⑰ Torque brace
- ⑲ Electrical energy transfer robot side
- ⑳ Electrical energy transfer tool side
- ㉓ Air purge connection option
- ㉘ Tool changer
- ㉙ Adapter

**PIN assignment**

**Hoseless air passage (tool)**

**Dimensions and Callouts:**

- Front view:  $\varnothing 200h8$ ,  $\varnothing 160$ ,  $\pm 0.02$ ,  $\varnothing 10H7$ ,  $\varnothing 135$ ,  $3 \times 24^\circ$ ,  $50^\circ$ ,  $5$ ,  $6 \times M4$  ④,  $\varnothing 10H7 \times 10$  ⑪,  $6 \times M10 \times 15$  ⑰,  $1.20$ ,  $135$ ,  $80$ ,  $12$ .
- Side view:  $\varnothing 100h7$  ①,  $4.5$ ,  $1.2$ ,  $82$ ,  $16$ ,  $8$ ,  $4 \times G1/8"$ ,  $M5$  ㉓,  $X$ ,  $19$ ,  $20$ .
- Bottom view:  $6 \times 60^\circ$ ,  $30^\circ$ ,  $6 \times M10$  DIN 7984 ①,  $\varnothing 10H7 \times 12$  ①,  $\varnothing 160$ ,  $\pm 0.02$ ,  $\varnothing 10H7$ .
- Detail view:  $4 \times M4$  ④,  $4 \times G1/8"$  ④,  $4 \times G1/8"$  ④,  $4.5$ ,  $1.2$ ,  $82$ ,  $16$ .