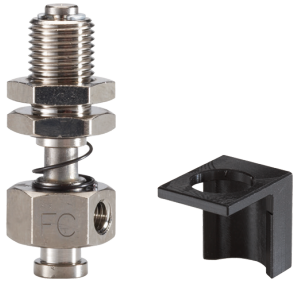


ADAPTERS + COMPENSATION MODULES

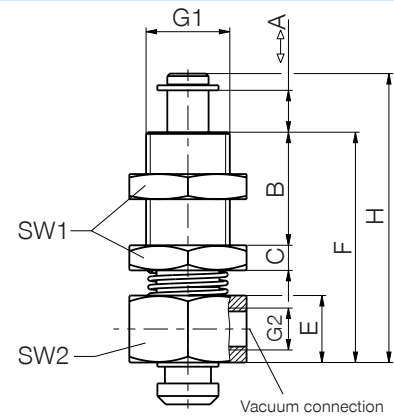
SERIES F

► SERIES F - COMPENSATION MODULES



► Special features

- External thread
- Spring loaded compensator
- Vacuum connection
- Rotation prevention available



► Technical Data

Order no.	FA	FB	FC	FD	FE
Connection type	4	5	1	3	2
G1	M5	M8x1	M10x1	M12x1	M12x1
G2	M5	M5	M5	M5	M5
Dimension A [mm]	4	4	5	10	10
Dimension B [mm]	8	10	13.5	13	13
Dimension C [mm]	3	3	3	4	4
Dimension E [mm]	7	8	8	8	8
Dimension F [mm]	21	24.2	27.5	29	29
Dimension H [mm]	27	30	34.5	41	41
SW1 [mm]	8	10	14	17	17
SW2 [mm]	10	10	14	17	17

► ROTATION PREVENTION

► Technical Data

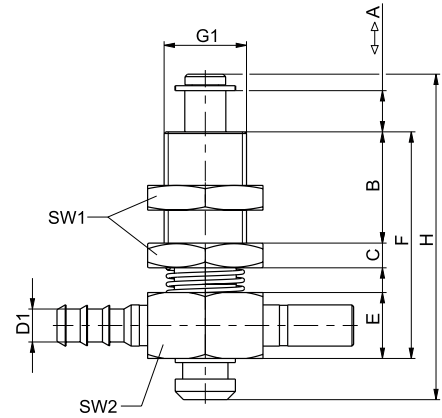
Order no.	FA1	FB1	FC1	FD1
Suitable for	FA	FB	FC	FD/FE

► SERIES FV - COMPENSATION MODULES WITH VACUUM GENERATORS



► Special features

- External thread
- Spring loaded compensator
- Integrated vacuum generators
- Rotation prevention available



► Technical Data

Order no.	FAV	FBV	FCV	FDV	FEV
Connection type	4	5	1	3	2
Air consumption per min. [l norm]	13	13	13	13	13
G1	M5	M8x1	M10x1	M12x1	M12x1
Dimension A [mm]	4	4	5	10	10
Dimension B [mm]	8	10	13.5	13	13
Dimension C [mm]	3	3	3	4	4
Dimension D1 [mm]	2.8	2.8	4	4	4
Dimension E [mm]	7	8	8	8	8
Dimension F [mm]	21	24.2	27.5	29	29.1
Dimension H [mm]	27	30	34.5	41	41
SW1 [mm]	8	10	14	17	17
SW2 [mm]	10	10	14	17	17

► ROTATION PREVENTION

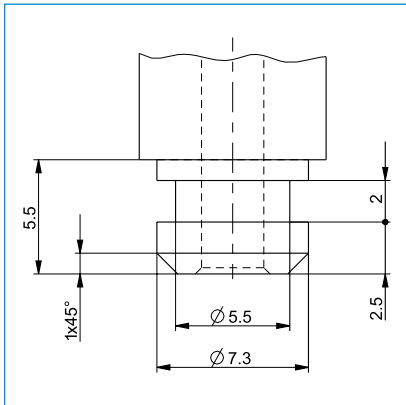
► Technical Data

Order no.	FA1	FB1	FC1	FD1
Suitable for	FAV	FBV	FCV	FDV/FEV

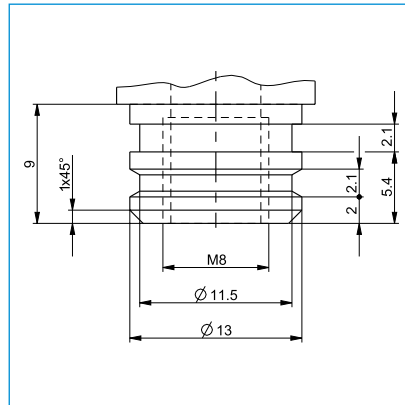
SUCTION CUPS

CONNECTION TYPES

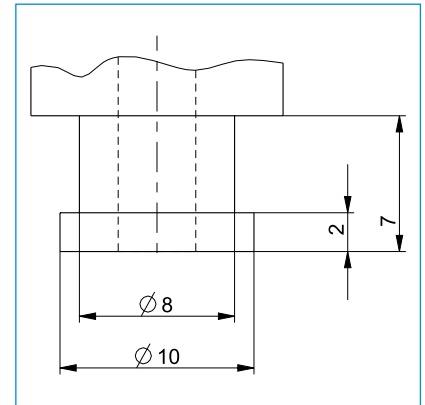
Suction Cups, Adapters and Compensation Modules with the same connection type can be variably combined. Dimensions of each connection type can be taken from drawings given below.



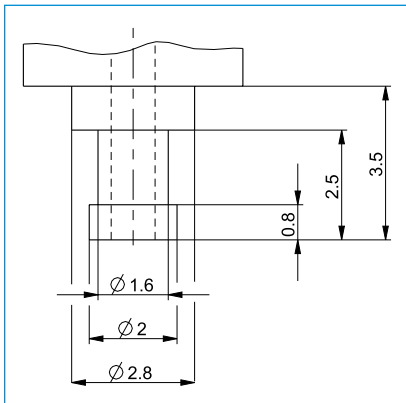
■ Connection type 1



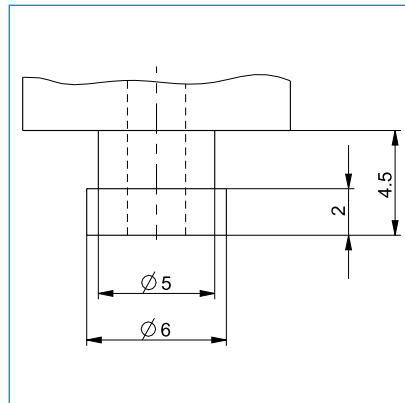
■ Connection type 2



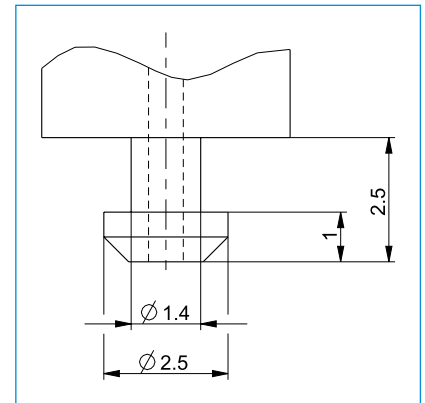
■ Connection type 3



■ Connection type 4



■ Connection type 5



■ Connection type 6