

3-JAW CONCENTRIC GRIPPERS

SERIES GD

▶ PRODUCT ADVANTAGES



“The flexible”

▶ Largest stroke in small installation space

You can cover numerous application variants with just one gripper type

▶ Gripper jaws included in the delivery

Reduces your design effort, manufacturing costs and setup time

▶ Smooth stroke configuration

Using the optionally available stroke limit, you can customise the stroke to your application, even stroke sensing is possible

▶ SERIES CHARACTERISTICS

Installation size

GDX



10 million maintenance-free cycles (max.)



Inductive sensor

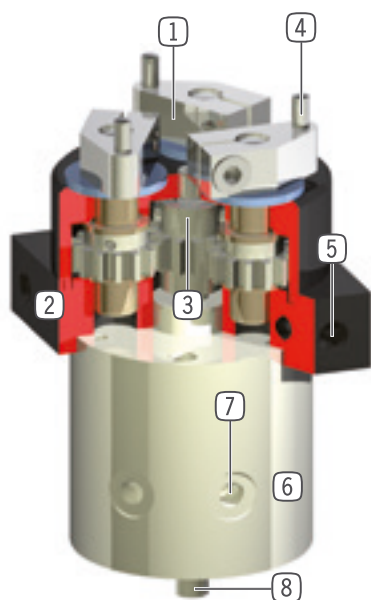


IP40





► BENEFITS IN DETAIL



- ① **Gripping movement on rotation**
 - for various workpiece diameters
- ② **Robust, lightweight housing**
 - Hard-coated aluminum alloy
- ③ **Planetary transmission**
 - synchronized the movement of the gripper jaws
- ④ **Standard pins serve as gripper jaw**
- ⑤ **Mounting and positioning**
 - mounting possible from several sides for versatile positioning
- ⑥ **Drive**
 - double-acting pneumatic cylinder
- ⑦ **Energy supply**
 - possible radial and axial
- ⑧ **Shaft projection**
 - for accessory assembly e.g. sensors

► TECHNICAL DATA

Installation size	Stroke [°]	Gripping moment [Nm]	Weight [kg]	IP class
GD1	130	0,12	0.08	IP40
GD10	180	1	0.35	IP40
GD50	120	9	2	IP40

► FURTHER INFORMATION IS AVAILABLE ONLINE



All information just a click away at: www.zimmer-group.com. Find data, illustrations, 3D models and operating instructions for your installation size using the order number for your desired product. Quick, clear and always up-to-date.

3-JAW CONCENTRIC GRIPPERS

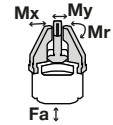
INSTALLATION SIZE GD1

▶ PRODUCT SPECIFICATIONS



▶ Forces and moments

Displays static forces and moments that can also have an effect, besides the gripping force.



Mr [Nm]	0.1
Mx [Nm]	0.1
My [Nm]	0.1
Fa [N]	10

▶ RECOMMENDED ACCESSORIES



ENERGY SUPPLY



GVM5
Straight Fittings - Quick Connect Style



DEV04
Quick Exhaust Valve



DSV1-8
Pressure safety valve



ENERGY SUPPLY



DSV1-8E
Pressure safety valve with quick exhaust



CONNECTIONS / OTHER



DB1-B
Rotation limiter

▶ RECOMMENDED ACCESSORY ROTATION LIMITER



NJ3-E2-02
Inductive proximity switch - Cable 5 m



S8-G-3
Plug-in connector customizable Straight - Connector M8



S12-G-3
Plug-in connector customizable Straight - Connector M12

Order no.	GD1-B
Stroke per jaw [°]	130
Gripping diameter in closing min. [mm]	3
Gripping diameter in closing max. [mm]	22
Gripping diameter in opening min. [mm]	7
Gripping diameter in opening max. [mm]	26
Gripping moment in closing [Nm]	0.12
Gripping moment in opening [Nm]	0.12
Closing time [s]	0.02
Opening time [s]	0.02
Repetition accuracy +/- [mm]	0.05
Operating pressure min. [bar]	3
Operating pressure max. [bar]	8
Nominal operating pressure [bar]	6
Operating temperature min. [°C]	5
Operating temperature max. [°C]	+60
Air volume per cycle [cm³]	2.8
Protection to IEC 60529	IP40
Weight [kg]	0.08

