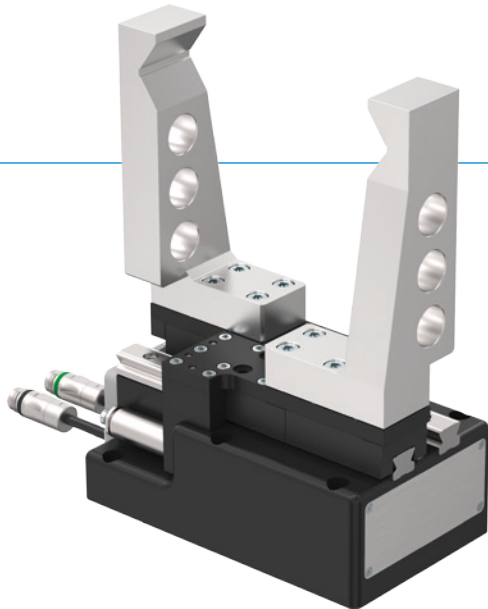


2-JAW PARALLEL GRIPPERS WITH LONG STROKE SERIES GEH8000

▶ PRODUCT ADVANTAGES



“The strong”

▶ High gripping force

Using the high gripping force, you can safely handle even the heaviest workpieces

▶ Servo drive

Position, speed and force control in combination with a mechanical self locking mechanism guarantee the highest functionality

▶ Multibus

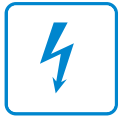
How you stay flexible: PROFIBUS, SERCOS III, PROFINET IO, EtherNet/IP or EtherCat - You decide what harmonises best with your system

▶ SERIES CHARACTERISTICS

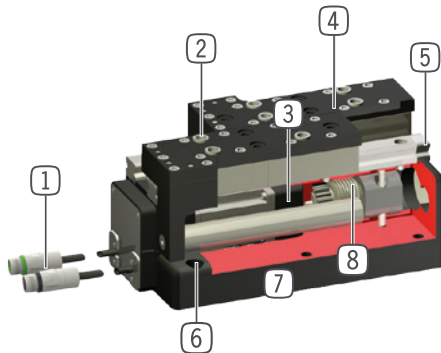
Installation size

GEH86XX-B

PB Profibus	●
PN Profinet, EtherCat, EtherNet/IP, Sercos	●
 10 million maintenance-free cycles (max.)	●
 Integrated sensing	●
 Self locking mechanism	●
IP 40 IP40	●



► BENEFITS IN DETAIL



- ① **Energy supply**
 - motor cable, male
 - encoder cable, female
- ② **Removable centering sleeves**
 - quick and economical positioning of the gripper fingers
- ③ **Drive**
 - AC servo motor
- ④ **Gripper jaw**
 - hardened steel
 - individual gripper finger mounting
- ⑤ **Precise linear guide**
 - high forces and moments capacity
 - guide wagon with wiper for harsh environments
- ⑥ **Mounting and positioning**
- ⑦ **Robust, lightweight housing**
 - Hard-coated aluminum alloy
- ⑧ **Synchronization**
 - via rack and pinion

► TECHNICAL DATA

Installation size	Stroke per jaw [mm]	Holding force [N]	Weight [kg]	IP class
GEH8660	60	200 - 3200	10	IP40

► FURTHER INFORMATION IS AVAILABLE ONLINE

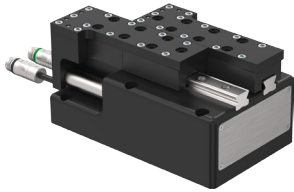


All information just a click away at: www.zimmer-group.com. Find data, illustrations, 3D models and operating instructions for your installation size using the order number for your desired product. Quick, clear and always up-to-date.

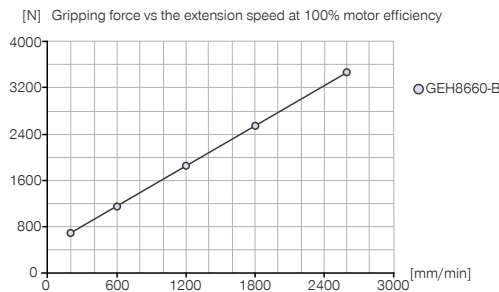
2-JAW PARALLEL GRIPPERS WITH LONG STROKE

INSTALLATION SIZE GEH8660

▶ PRODUCT SPECIFICATIONS

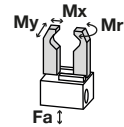


▶ Gripping force diagram



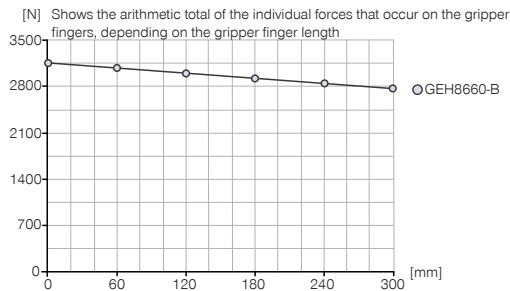
▶ Forces and moments

Displays static forces and moments that can also have an effect, besides the gripping force.



Mr [Nm]	220
Mx [Nm]	220
My [Nm]	950
Fa [N]	5000

▶ Gripping force diagram



▶ INCLUDED IN DELIVERY



1 [piece]
Commissioning USB
052650



8 [piece]
Centering Disc
DST41600

▶ RECOMMENDED ACCESSORIES



ENERGY SUPPLY



ZUBHCS-B
Drive controller Profibus



ZUBHCSME-B
Drive control unit SERCOS III, PROFINET IO, EtherNet/IP, EtherCAT



ZUBHCSN
Line filter



CONNECTIONS / OTHER



ZUBHCSS
Indra Works Drive Start Up CD



ZUBHCSKAG25-B
Encoder cable 25 m

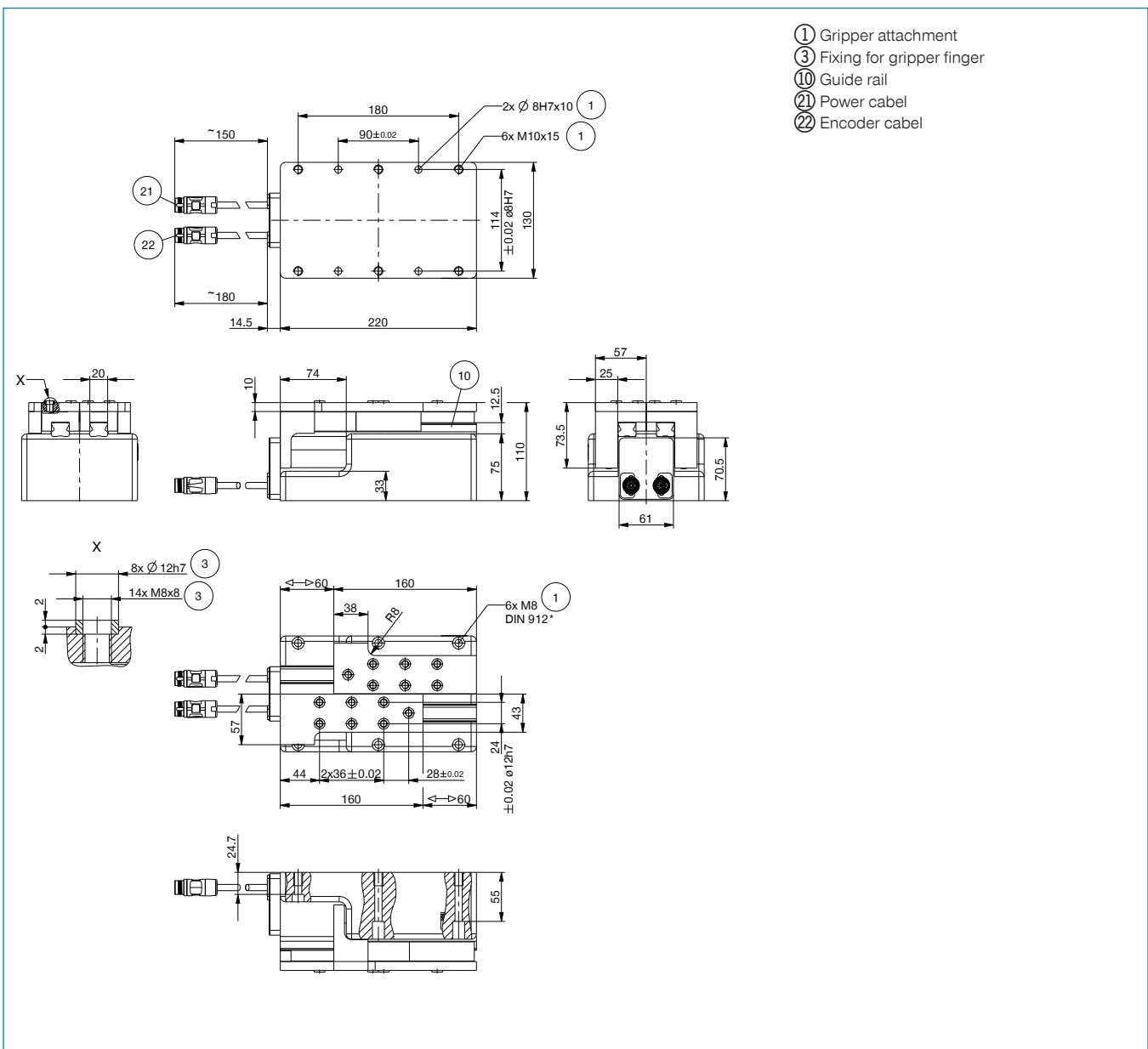


ZUBHCSKAP01
Programming cable



ZUBHCSKAL25-B
Power cable 25 m

► Technical data	
Order no.	GEH8660-B
Drive	AC servo motor
Stroke per jaw [mm]	60
Max. retention force (at 100% opening usage) [N]	3200
Retention force min. [N]	200
Self locking mechanism	gear rack / worm drive
Power transfer	Rack / worm gear
Closing time / Opening time at maximum stroke [s]	1.5
Repetition accuracy +/- [mm]	0.05
Operating temperature min. [°C]	5
Operating temperature max. [°C]	+80
Protection to IEC 60529	IP40
Weight [kg]	10
Drive	
Load gear output revolution	49
Load gear input revolution	375
Feed constant [mm/rev]	3.1415



2-JAW PARALLEL GRIPPERS WITH LONG STROKE SERIES GEH8000 - ACCESSORIES

▶ RECOMMENDED ACCESSORIES



ENERGY SUPPLY



ZUBHCS-B
Drive controller Profibus



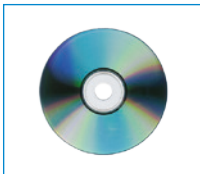
ZUBHCSME-B
Drive control unit SERCOS III, PROF-INET IO, EtherNet/IP, EtherCAT



ZUBHCSN
Line filter



CONNECTIONS / OTHER



ZUBHCSS
Indra Works Drive Start Up CD



ZUBHCSKAG05-B
Encoder cable 5 m



ZUBHCSKAG10-B
Encoder cable 10 m



ZUBHCSKAG25-B
Encoder cable 25 m



ZUBHCSKAP01
Programming cable



ZUBHCSKAL05-B
Power cable 5 m



ZUBHCSKAL10-B
Power cable 10 m



ZUBHCSKAL25-B
Power cable 25 m

► **Technical data for motors**

Order no.	MSM019B-0300-NN-M5-MH0
compatible with	GEH8660
Manufacturer	BOSCH
Nominal torque [Nm]	0,32
Torque max. [Nm]	0,95
Nominal speed [rpm]	3000
Max. speed [rpm]	5000
Protection to IEC 60529	IP54

