

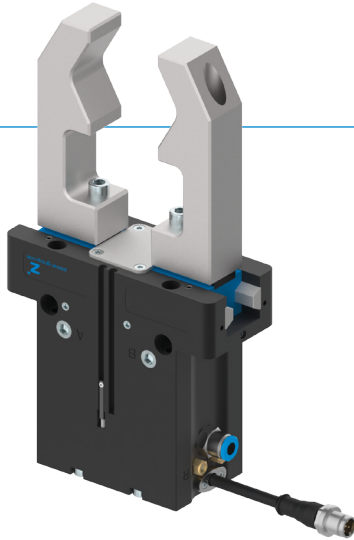
2-JAW PARALLEL GRIPPERS

SERIES GPP5000IL

1

Series GPP5000IL / 2-Jaw Parallel Grippers / pneumatic / Grippers

▶ PRODUCT ADVANTAGES



IO-Link

“The hybrid”

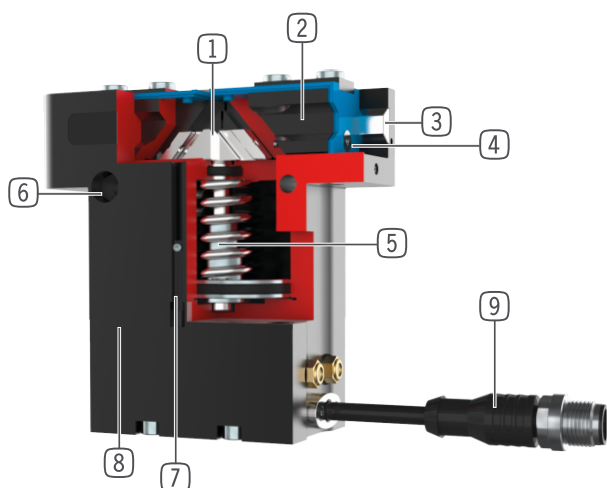
- ▶ Pneumatic drive combined with IO-Link technology
- ▶ Up to 50% reduction in cycle times and up to 90% less compressed air usage
- ▶ Connection over just one pneumatic line and IO-Link cable
- ▶ Integrated valve technology, sensor technology, status display, pressure monitoring and temperature monitoring
- ▶ Part detection down to +/- 0.05 mm for a tolerance range that can be taught for any value
- ▶ 32 workpieces data sets can be programmed
- ▶ Protected from corrosion and sealed in accordance with IP64
- ▶ Up to 30 million cycles without maintenance

▶ SERIES CHARACTERISTICS

| Installation size | Version | | | | | |
|---|---------|----|----|---|----|----|
| GPP50XXIL | N | NC | NO | S | SC | SO |
| IO-Link | • | • | • | • | • | • |
| Spring closing C | | • | | | • | |
| Spring opening O | | | • | | | • |
| High-strength S | | | | • | • | • |
| 30 million maintenance-free cycles (max.) | • | • | • | • | • | • |
| Integrated sensing | • | • | • | • | • | • |
| Integrated valve technology | • | • | • | • | • | • |
| Protected against corrosion | • | • | • | • | • | • |
| Purged air | • | • | • | • | • | • |
| IP64 | • | • | • | • | • | • |



▶ BENEFITS IN DETAIL



- ① **Wedge hook mechanism**
 - Supports to absorb high forces and moments
 - Synchronized gripper jaw movement
- ② **Gripper jaw**
 - Gripper fingers mounted using removable centering sleeves
 - Lubricated for life via incorporated lubrication slots
- ③ **Steel Linear Guide**
 - Steel in steel guide
 - Enables use of extremely long gripper fingers
- ④ **Dual lip seal**
 - IP64
 - Prevents grease from being squeezed out, increasing service life
- ⑤ **Integrated gripping force safety device**
 - Spring built into cylinder chamber as an energy store
- ⑥ **Mounting and positioning**
 - Alternatively, on several sides for customized mounting
- ⑦ **Position sensing**
 - integrated Hallsensor
- ⑧ **Integrated valve technology**
 - Activation of the gripper by means of a compressed air supply
- ⑨ **Integrated control module**
 - Single-cable solution via IO-Link
 - Pressure, temperature, position and other parameters are readable

▶ TECHNICAL DATA

| Installation size | Stroke per jaw [mm] | Gripping force [N] | Weight [kg] | IP class |
|-------------------|------------------------|-----------------------|----------------|----------|
| GPP5006IL | 3 - 6 | 330 - 1080 | 0,45 - 0,53 | IP64 |
| GPP5008IL | 4 - 8 | 520 - 1670 | 0,75 - 0,87 | IP64 |
| GPP5010IL | 5 - 10 | 885 - 2890 | 1,23 - 1,45 | IP64 |

▶ FURTHER INFORMATION IS AVAILABLE ONLINE

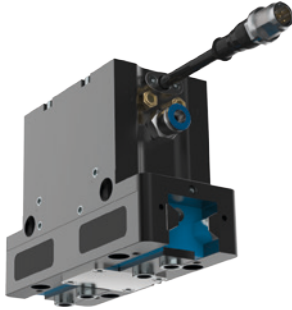


All information just a click away at: www.zimmer-group.com. Find data, illustrations, 3D models and operating instructions for your installation size using the order number for your desired product. Quick, clear and always up-to-date.

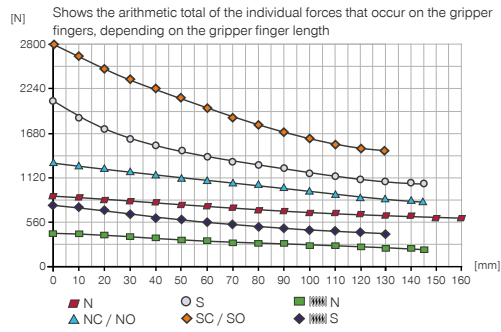
2-JAW PARALLEL GRIPPERS

INSTALLATION SIZE GPP5010IL

▶ PRODUCT SPECIFICATIONS

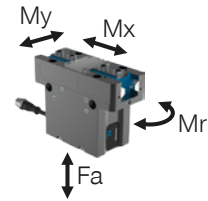


▶ Gripping force diagram



▶ Forces and moments

Displays static forces and moments that can also have an effect, besides the gripping force.



| | |
|---------|------|
| Mr [Nm] | 75 |
| Mx [Nm] | 125 |
| My [Nm] | 95 |
| Fa [N] | 2700 |

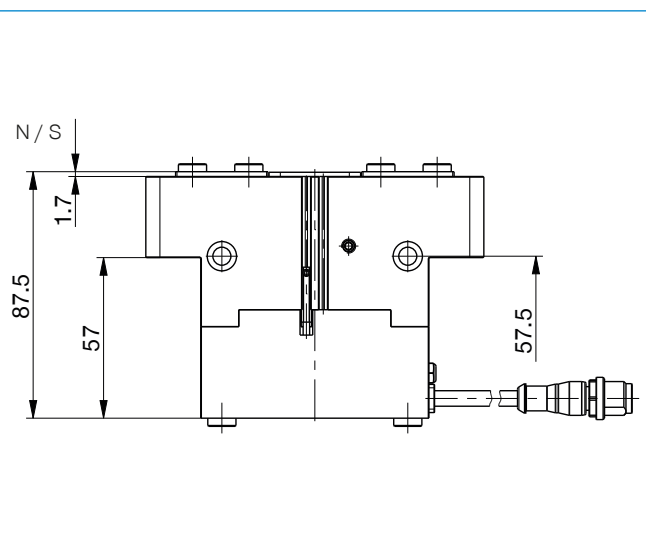
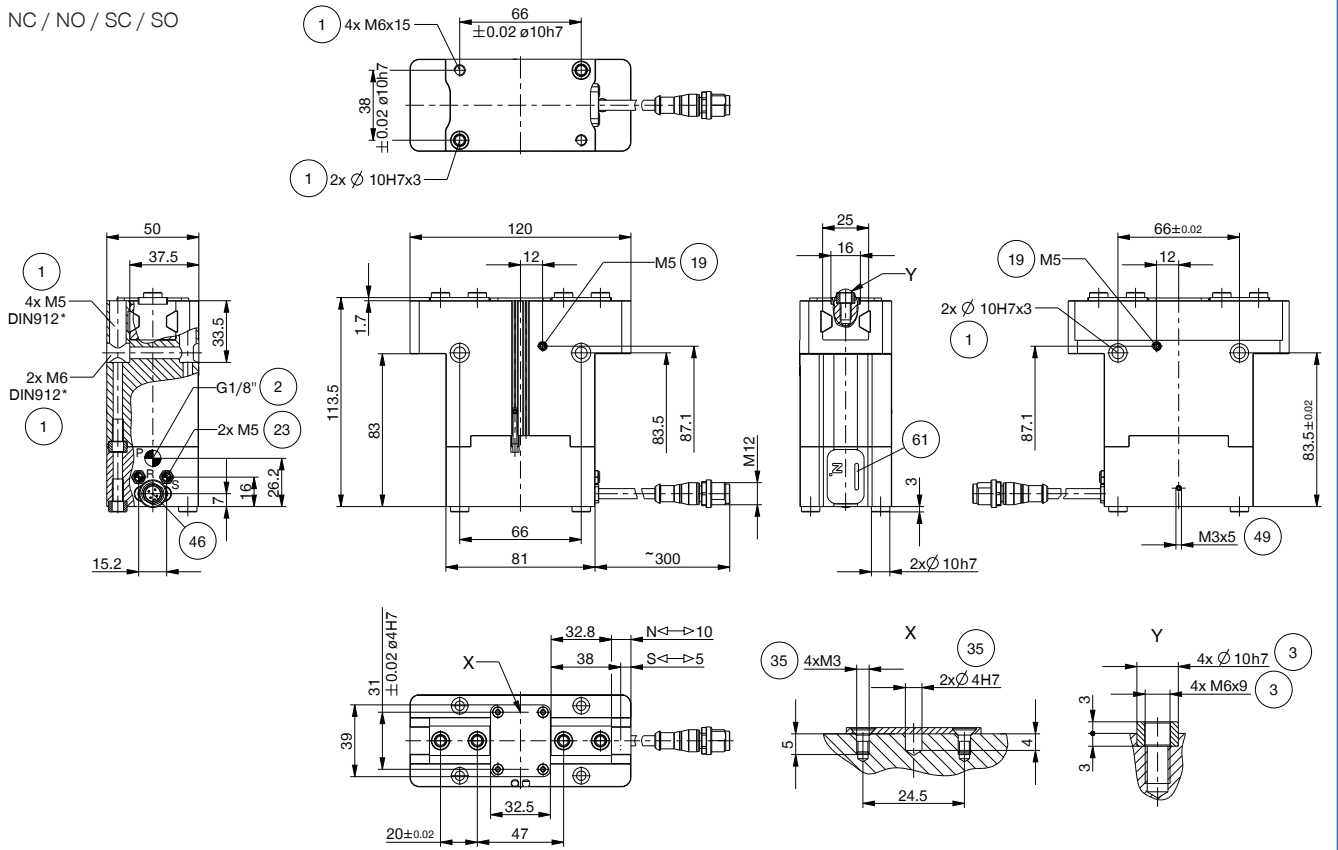
▶ TECHNICAL DATA

▶ Technical data

| Order no. | GPP5010N-IL-10-A | GPP5010NC-IL-10-A | GPP5010NO-IL-10-A | GPP5010S-IL-10-A | GPP5010SC-IL-10-A | GPP5010SO-IL-10-A |
|---|------------------|-------------------|-------------------|------------------|-------------------|-------------------|
| Control | IO-Link | IO-Link | IO-Link | IO-Link | IO-Link | IO-Link |
| Stroke per jaw [mm] | 10 | 10 | 10 | 5 | 5 | 5 |
| Gripping force in closing [N] | 885 | 1260 | | 1940 | 2750 | |
| Gripping force in opening [N] | 945 | | 1320 | 2080 | | 2890 |
| Gripping force secured by spring min. [N] | | 375 | 375 | | 810 | 810 |
| Cycle count max. [cycle/min] | 230 | 150 | 150 | 230 | 150 | 150 |
| Permissible weight per jaw max [kg] | 1.3 | 1.3 | 1.3 | 1.3 | 1.3 | 1.3 |
| Length of the gripper fingers max. [mm] | 160 | 145 | 145 | 145 | 130 | 130 |
| Repetition accuracy +/- [mm] | 0.01 | 0.01 | 0.01 | 0.01 | 0.01 | 0.01 |
| Operating pressure min. [bar] | 3 | 4 | 4 | 3 | 4 | 4 |
| Operating pressure max. [bar] | 8 | 7 | 7 | 8 | 7 | 7 |
| Nominal operating pressure [bar] | 6 | 6 | 6 | 6 | 6 | 6 |
| Operating temperature [°C] | +5 ... +50 | +5 ... +50 | +5 ... +50 | +5 ... +50 | +5 ... +50 | +5 ... +50 |
| Air volume per cycle [cm³] | 44 | 92 | 92 | 44 | 92 | 92 |
| Integrated valve technology | Yes | Yes | Yes | Yes | Yes | Yes |
| Integrated position sensing | Yes | Yes | Yes | Yes | Yes | Yes |
| Voltage [V] | 24 | 24 | 24 | 24 | 24 | 24 |
| Current consumption max. [A] | 0.10 | 0.10 | 0.10 | 0.10 | 0.10 | 0.10 |
| Protection to IEC 60529 | IP64 | IP64 | IP64 | IP64 | IP64 | IP64 |
| Weight [kg] | 1.23 | 1.45 | 1.45 | 1.23 | 1.45 | 1.45 |

TECHNICAL DRAWINGS

NC / NO / SC / SO



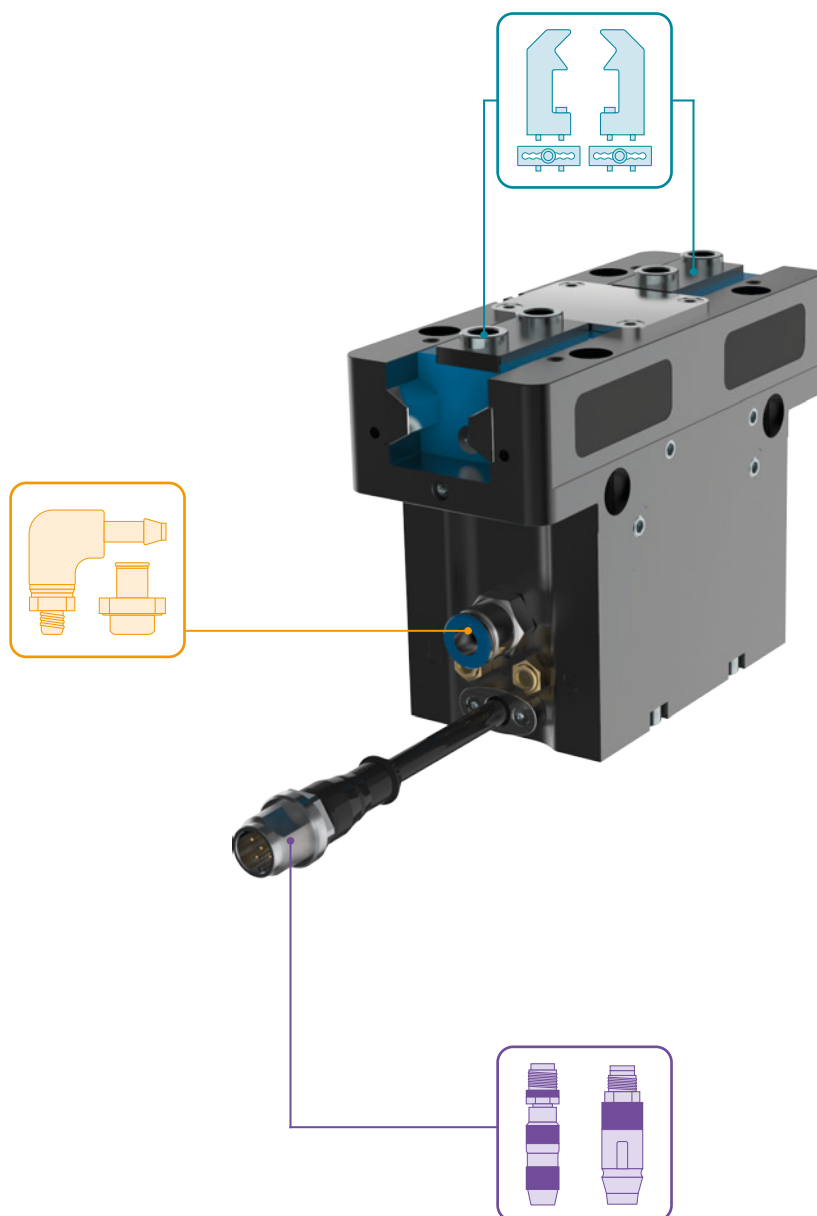
- ① Gripper attachment
- ② Energy supply
- ③ Fixing for gripper finger
- ⑱ Air purge connection option
- ⑳ Ventilation (R+S: In dirty environments, replace filters with actual exhaust hoses and move the exhaust air outlet to a clean environment)
- ㉓ Attachment option for customer-specific fittings
- ④⑥ Energy supply IO-Link (M12, 5-pole)
- ④⑨ Ground
- ⑥① Status display



2-JAW PARALLEL GRIPPERS

INSTALLATION SIZE GPP5010IL

► ACCESORIES



► INCLUDED IN DELIVERY



6 [piece]
Centering Disc

018187



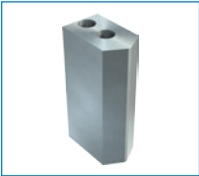
2 [piece]
Filters

CFILT00010

▶ RECOMMENDED ACCESSORIES



GRIPPING COMPONENTS



UB5010AL
Universal jaw aluminium



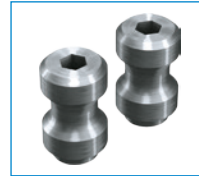
UB5010ST
Universal jaw steel



EB5010AL
Aluminum adjustment jaw



EB5010ST
Steel adjustment jaw



WB5010L
Changeable jaw, loose-part-set



WB5010F
Changeable jaw, fix-part



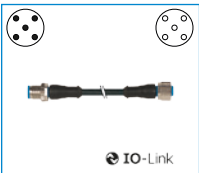
ENERGY SUPPLY



GV1-8X8
Straight Fittings - Quick Connect Style



CONNECTIONS / OTHER



KAG500IL
Plug-in connector straight
5 m - plug, socket M12



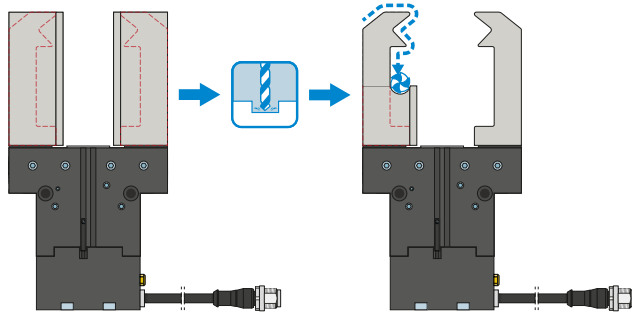
SCM-C-00-00-A
Smart Communication
Module

2-JAW PARALLEL GRIPPERS

SERIES GPP5000IL FUNCTIONAL DESCRIPTION



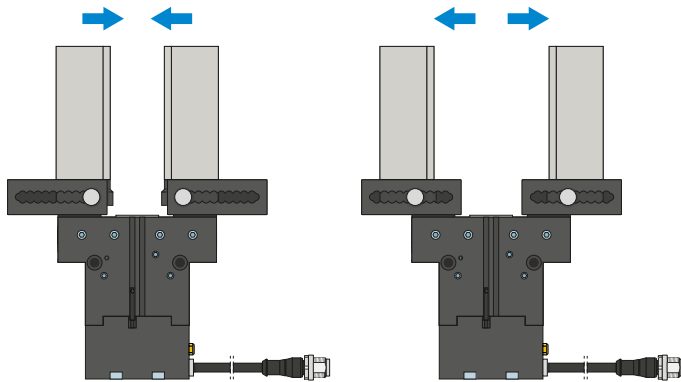
GRIPPING COMPONENTS



Universal jaws – UB5000

Can be used immediately or for individual reprocessing

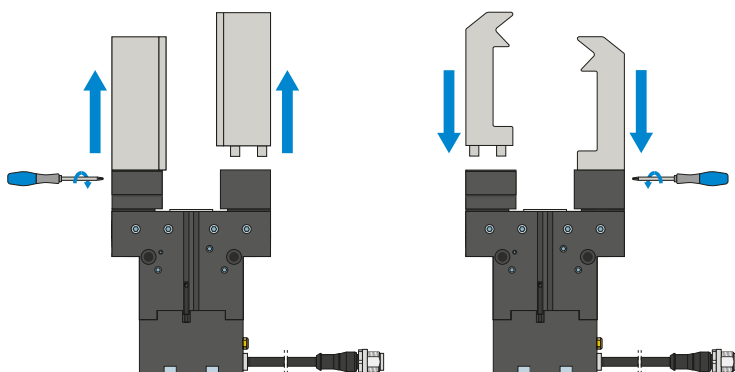
The gripper blanks are available in aluminum (AL) and steel (ST) versions and are installed directly on the gripper using the screws in the scope of delivery. The fits for the centering sleeves are already in place for this purpose. One universal jaw is required for each gripper jaw.



Adjustment jaws – EB5000

For tool-free adaptation of the gripper range

By manually activating the locking mechanism, which is pre-tensioned by a spring, the adjustment jaw can be moved within a grid of detent notches that has a number scale. Depending on the forces and torques that apply, the adjustment jaws are available in aluminum (AL) and steel (ST) versions. One adjustment jaw is required for each gripper jaw.



Interchangeable jaws – WB5000

Enable fast change of individual gripper fingers

For each gripper jaw, a fixed part and at least one loose part set is needed, depending on the number of gripper fingers to be changed. Manual locking via the Torx wrench included in the scope of delivery of the fixed part can take place from two sides.

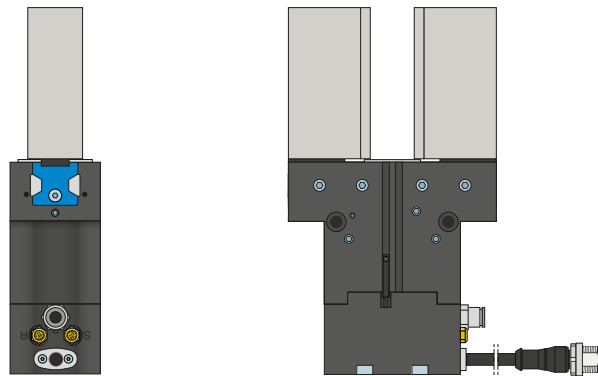


THE GRIPPING COMPONENTS CAN BE COMBINED!

The gripper components listed above can be combined with each other and are compatible with the various series of the 5000 gripper family.

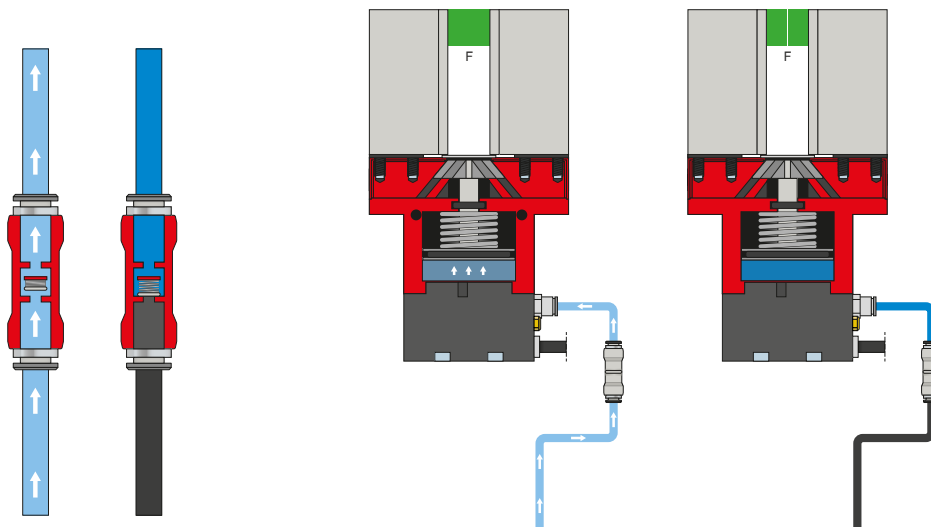


ENERGY SUPPLY



Pneumatic threaded connections

Available in straight and angled design. Can be chosen freely depending on the space conditions or installation situation.



Pressure safety valve – DSV

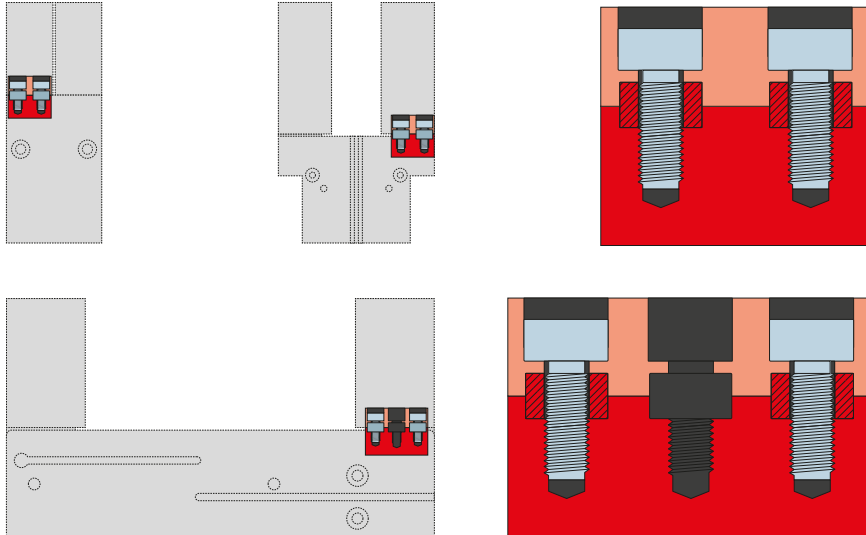
The throttle check valve integrated into the supply air line retains the system pressure in case of EMERGENCY STOP. To ensure the function, the valve must be installed as close to the gripper's air connection as possible. Control voltage and actuator voltage must be maintained for this purpose.

2-JAW PARALLEL GRIPPERS

SERIES GPP5000IL FUNCTIONAL DESCRIPTION



CONNECTIONS / OTHER



Centering sleeves

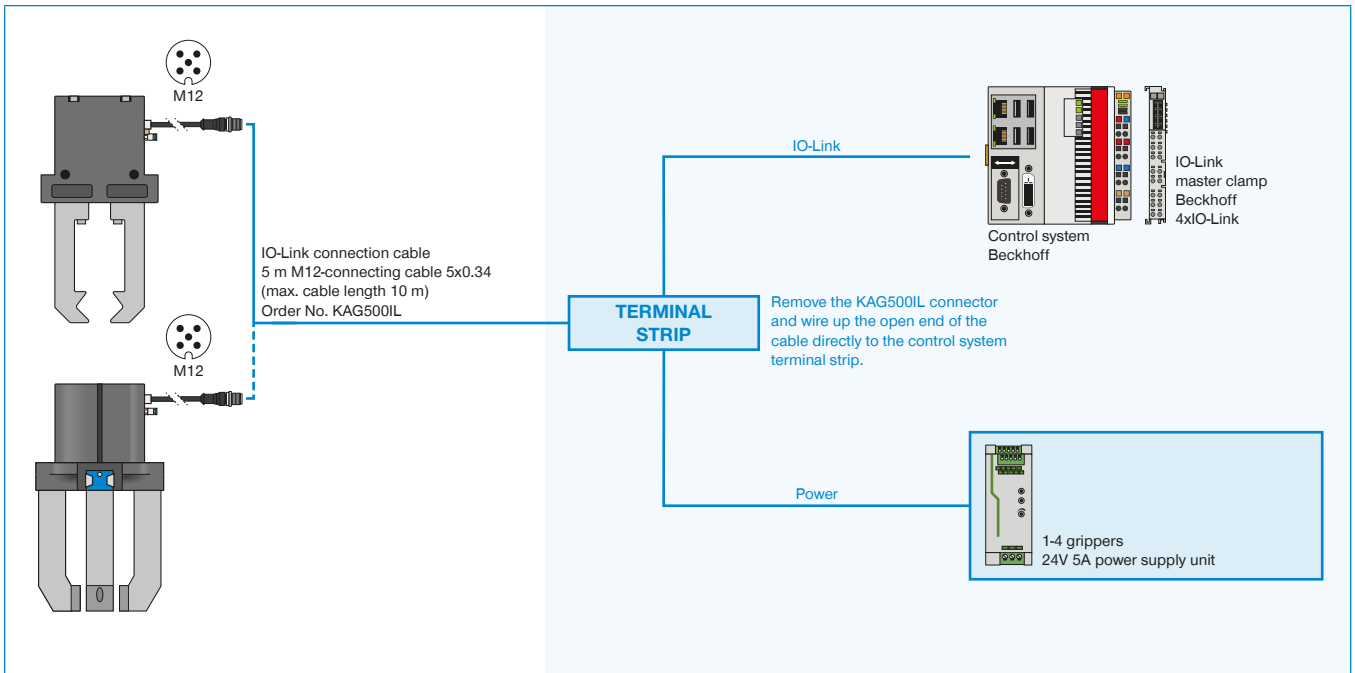
For defined position measurement of the gripper fingers

The centering sleeves are inserted into the fits of the gripper jaws to define the position of the gripper fingers. The centering sleeves are comparable to a pin connection.

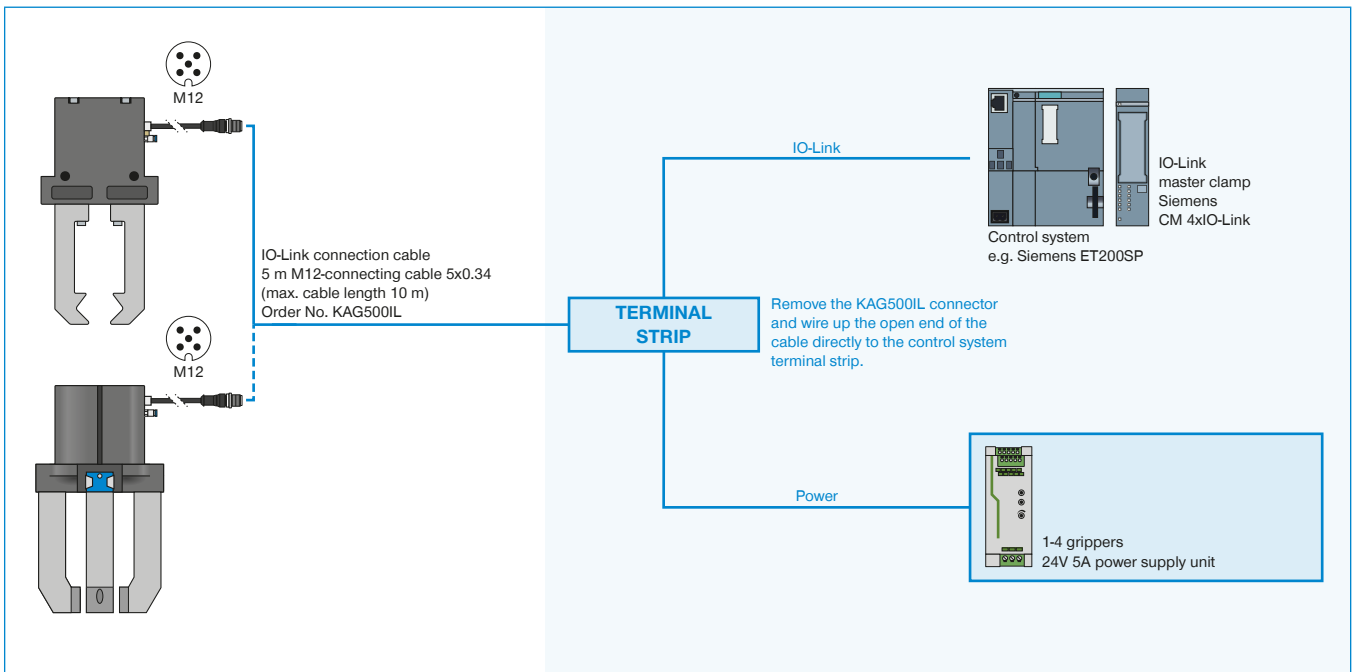
SECURED CONFIGURATION EXAMPLES

GPP5000IL / GPD5000IL SERIES

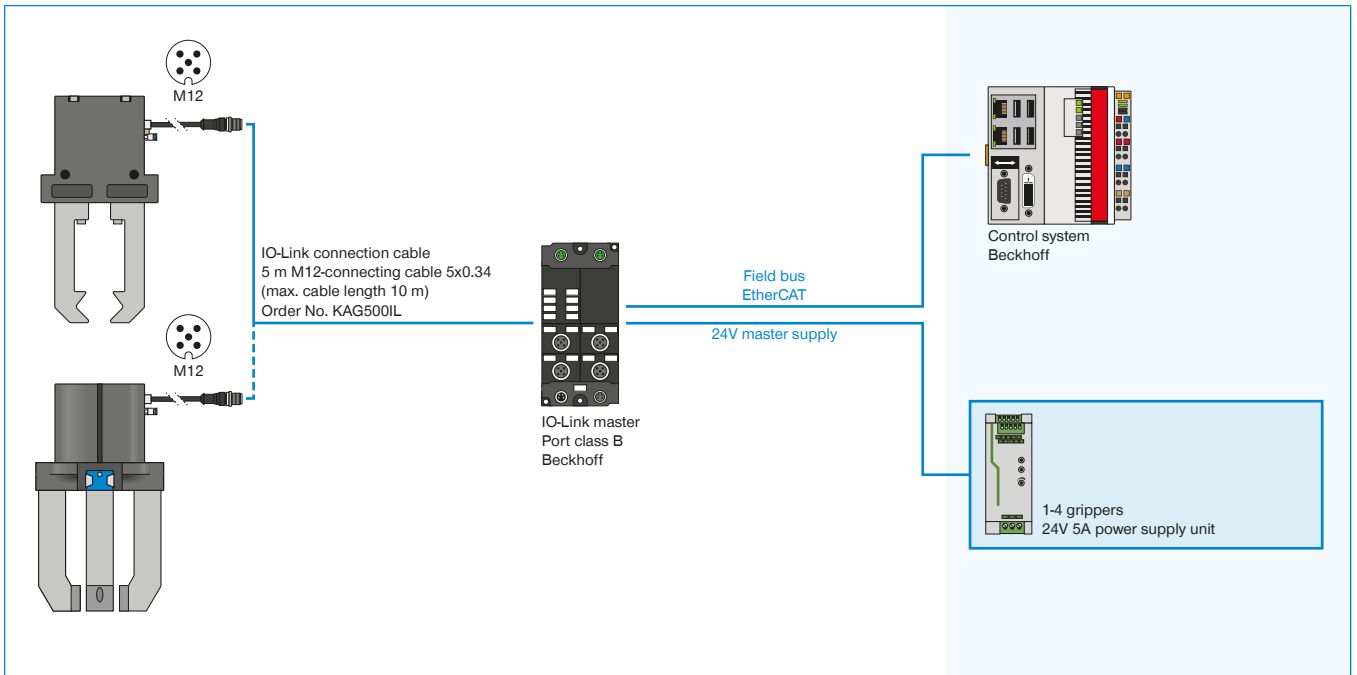
▶ GPP5000IL / GPD5000IL (IO-LINK) WIRING TO CONTROL CABINET (BECKHOFF)



▶ GPP5000IL / GPD5000IL (IO-LINK) WIRING TO CONTROL CABINET (SIEMENS)



▶ GPP5000IL / GPD5000IL (IO-LINK) WIRING TO IO-LINK MASTER IP67 (BECKHOFF)



▶ GPP5000IL / GPD5000IL (IO-LINK) WIRING TO IO-LINK MASTER IP67 (SIEMENS)

