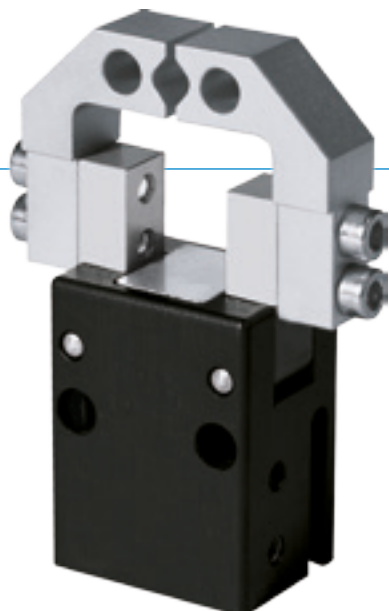


# 2-JAW ANGULAR GRIPPERS

## SERIES MGW800

### ▶ PRODUCT ADVANTAGES



#### “The economical”

##### ▶ Concentration on the essentials

The most economic type of gripping: This is how you reduce your production costs





##### ▶ High moment load

The optimally designed angular gear box provides the highest durability for your application

##### ▶ Failure-free continuous operation

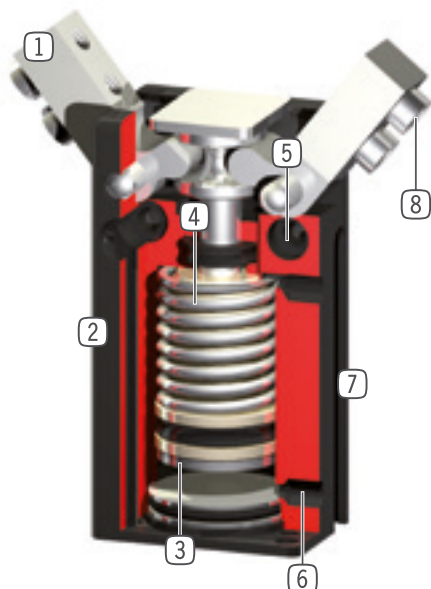
Our uncompromising “Made in Germany” quality guarantees up to 10 million maintenance-free cycles

### ▶ SERIES CHARACTERISTICS

| Installation size   | Version |    |
|---|---------|----|
| MGW8XX  | N       | NC |
|  Spring closing C                          |         | ●  |
|  10 million maintenance-free cycles (max.) | ●       | ●  |
|  Magnetic field sensor                     | ●       | ●  |
|  IP30                                      | ●       | ●  |



## ► BENEFITS IN DETAIL



- ① **Gripper jaw**
  - individual gripper finger mounting
- ② **Robust, lightweight housing**
  - Hard-coated aluminum alloy
- ③ **Position sensing**
  - permanent magnet for direct monitoring of piston movement
- ④ **Integrated gripping force safety device**
  - spring integrated into cylinder as energy storage (from size 803 upwards)
- ⑤ **Mounting and positioning**
  - mounting possible from several sides for versatile positioning
- ⑥ **Energy supply**
  - possible from several sides
- ⑦ **Sensing slot**
  - mounting and positioning of magnetic field sensors
- ⑧ **Removable centering sleeves**
  - quick and economical positioning of the gripper fingers

## ► TECHNICAL DATA

| Installation size | Stroke [°] | Gripping force [N] | Weight [kg]  | IP class |
|-------------------|------------|--------------------|--------------|----------|
| MGW801            | 37.5       | 5 - 7,5            | 0,01         | IP30     |
| MGW802            | 37.5       | 9 - 10             | 0,015        | IP30     |
| MGW803            | 37.5       | 33 - 49            | 0,025 - 0,04 | IP30     |
| MGW804            | 37.5       | 51 - 72            | 0,05 - 0,08  | IP30     |
| MGW806            | 37.5       | 91 - 118           | 0,1 - 0,12   | IP30     |
| MGW808            | 37.5       | 148 - 190          | 0,18 - 0,19  | IP30     |
| MGW810            | 37.5       | 205 - 270          | 0,28 - 0,31  | IP30     |
| MGW812            | 37.5       | 255 - 325          | 0,4 - 0,45   | IP30     |

## ► FURTHER INFORMATION IS AVAILABLE ONLINE



All information just a click away at: [www.zimmer-group.com](http://www.zimmer-group.com). Find data, illustrations, 3D models and operating instructions for your installation size using the order number for your desired product. Quick, clear and always up-to-date.

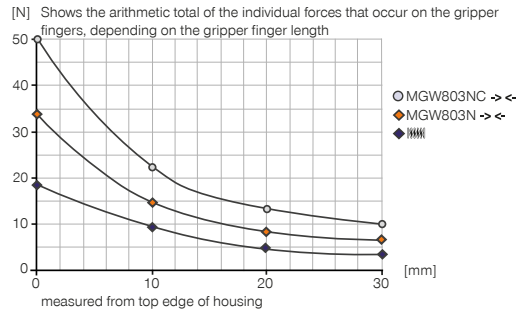
# 2-JAW ANGULAR GRIPPERS

## INSTALLATION SIZE MGW803

### ▶ PRODUCT SPECIFICATIONS



#### ▶ Gripping force diagram



#### ▶ Forces and moments

Displays static forces and moments that can also have an effect, besides the gripping force.



|         |     |
|---------|-----|
| Mr [Nm] | 0.4 |
| My [Nm] | 0.4 |
| Fa [N]  | 90  |

### ▶ INCLUDED IN DELIVERY



4 [piece]  
Centering Disc  
DST80320

### ▶ RECOMMENDED ACCESSORIES



#### ENERGY SUPPLY



**GVM3**  
Straight Fittings - Barb Style Connection



**WVM3**  
Angled Fittings - Barb Style Connection



**DEV04**  
Quick Exhaust Valve



#### SENSORS



**MFS01-K-KHC-P1-PNP**  
Magnetic field sensor angled, cable 5 m



**MFS01-S-KHC-P1-PNP**  
Magnetic field sensor angled, cable 0.3 m - M8 connector

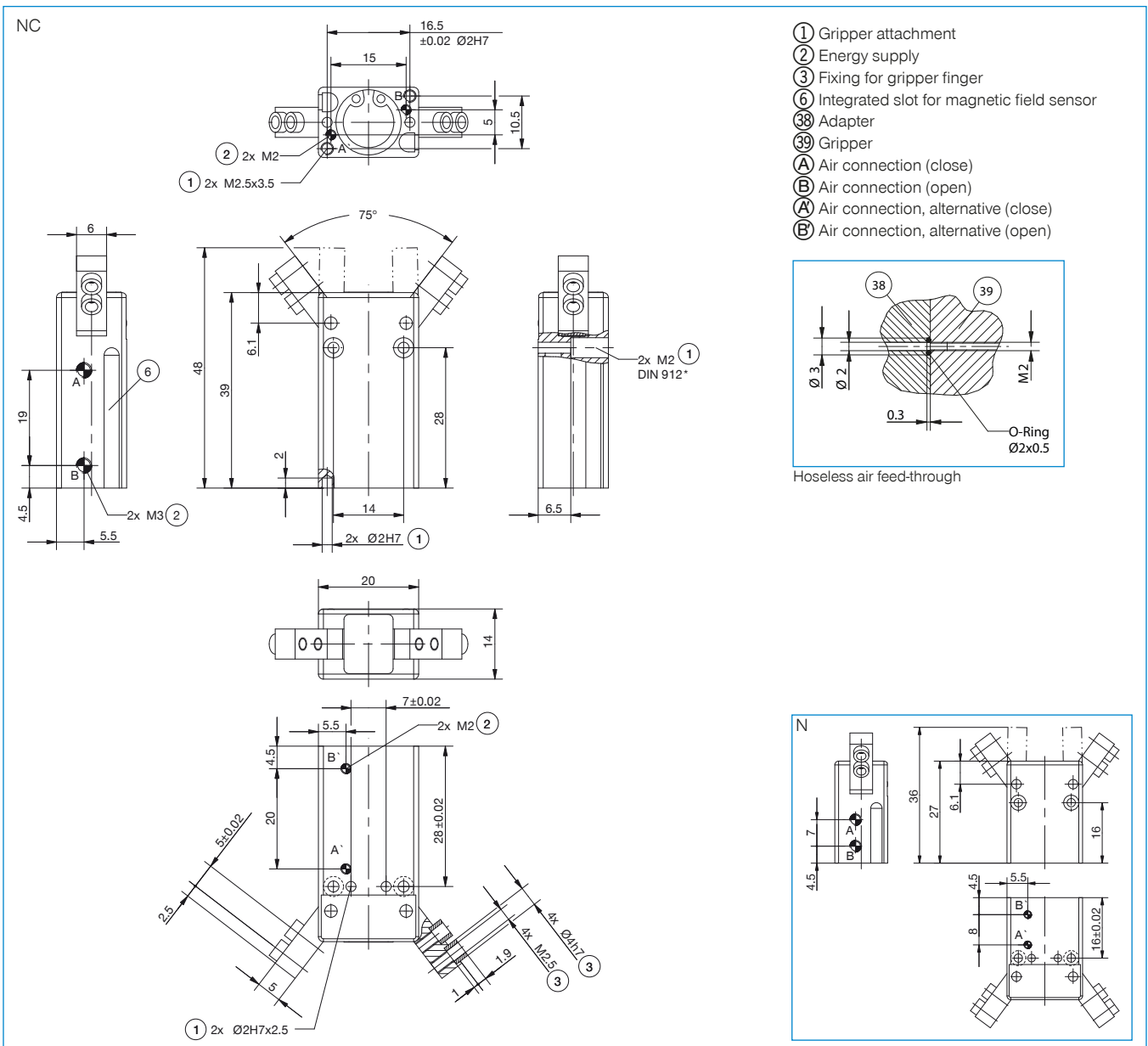


**MFS02-K-KHC-P1-PNP**  
Magnetic field sensor straight, cable 5 m



**MFS02-S-KHC-P1-PNP**  
Magnetic field sensor straight, cable 0.3 m - M8 connector

| Order no.                                   | ► Technical data |          |
|---|------------------|----------|
|   | MGW803N          | MGW803NC |
| Stroke per jaw [°]                          | 37.5             | 37.5     |
| Gripping moment in closing [Nm]             | 0.2              | 0.3      |
| Gripping moment in opening [Nm]             | 0.23             |          |
| Gripping moment secured by spring min. [Nm] |                  | 0.1      |
| Gripping force in closing [N]               | 33               | 49       |
| Gripping force in opening [N]               | 38               |          |
| Closing time [s]                            | 0.01             | 0.01     |
| Opening time [s]                            | 0.01             | 0.02     |
| Repetition accuracy +/- [mm]                | 0.05             | 0.05     |
| Operating pressure min. [bar]               | 3                | 4        |
| Operating pressure max. [bar]               | 8                | 8        |
| Nominal operating pressure [bar]            | 6                | 6        |
| Operating temperature min. [°C]             | 5                | 5        |
| Operating temperature max. [°C]             | +80              | +80      |
| Air volume per cycle [cm³]                  | 0.64             | 1        |
| Weight [kg]                                 | 0.025            | 0.04     |

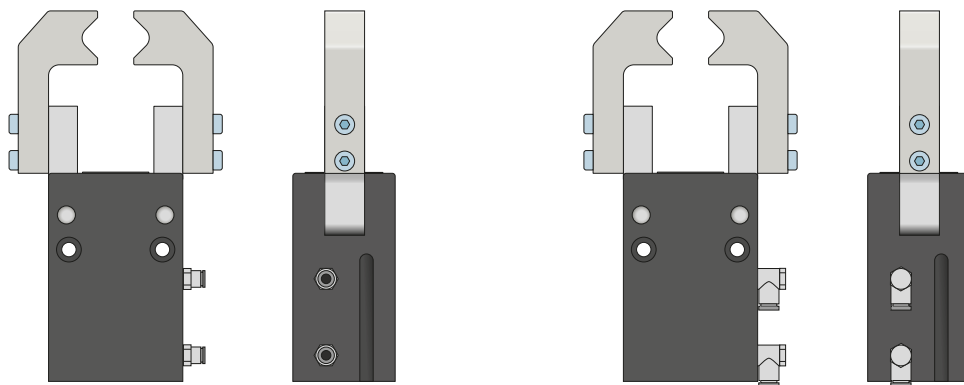


# 2-JAW ANGULAR GRIPPERS

## SERIES MGW800 FUNCTIONAL DESCRIPTION

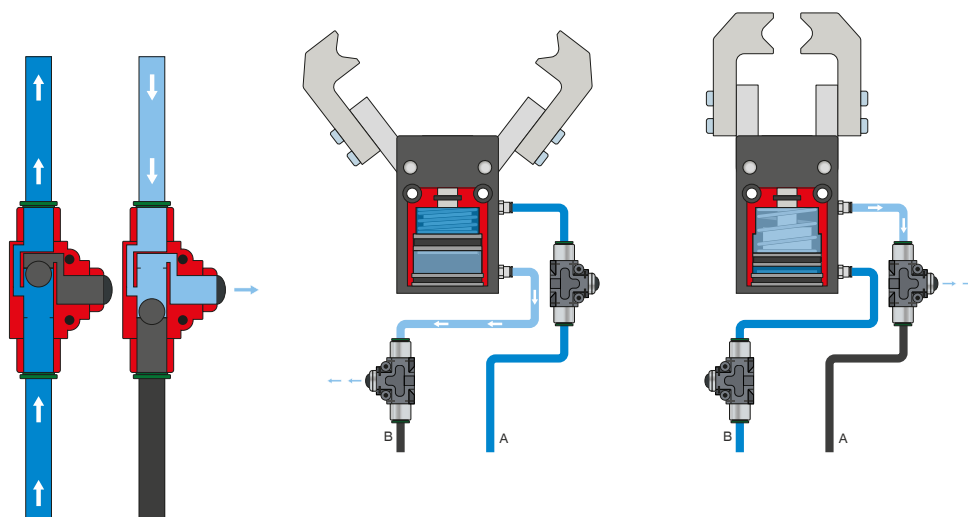


### ENERGY SUPPLY



### Pneumatic threaded connections

Available in straight and angled design. Can be chosen freely depending on the space conditions or installation situation.



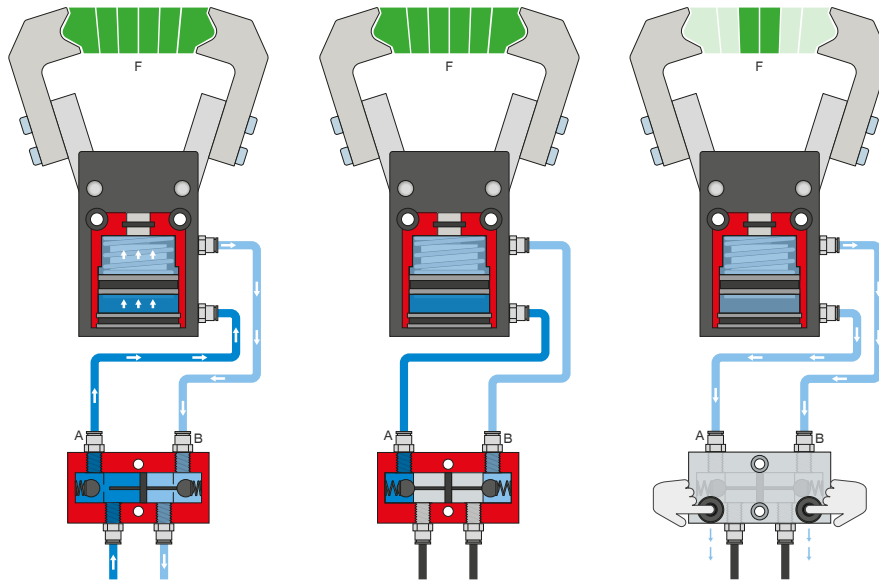
### Quick exhaust valve – DEV

For rapid bleeding of the compressed air and preventing back pressure

The inline valves make a faster cycle time possible and prevent the formation of condensate in grippers with a small cylinder volume. To ensure the function, the valve must be installed as close to the gripper's air connection as possible.



## ENERGY SUPPLY



### Pressure safety valve – DSV

Ensures safe retention of force and position if the system pressure drops

The integrated double check valve, which can be unlocked, retains the system pressure of the gripper in case of EMERGENCY STOP. To ensure the function, the valve must be installed as close to the gripper's air connection as possible. In variant E, two pushbuttons are installed that allow for controlled bleeding of the gripper.

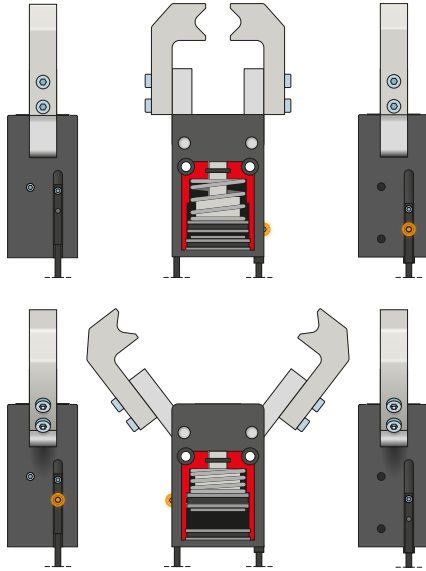
# 2-JAW ANGULAR GRIPPERS

## SERIES MGW800 FUNCTIONAL DESCRIPTION

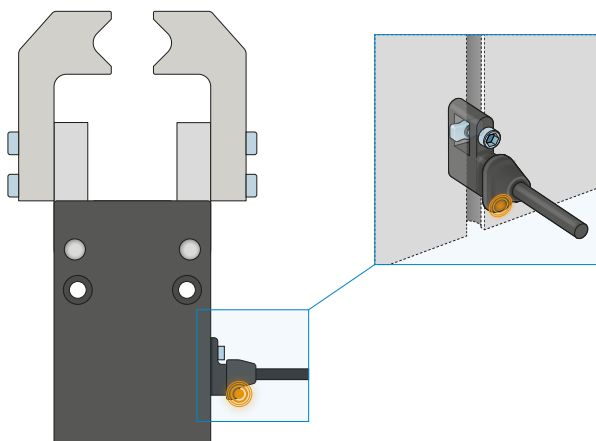


### SENSORS

MFS02



MFS01



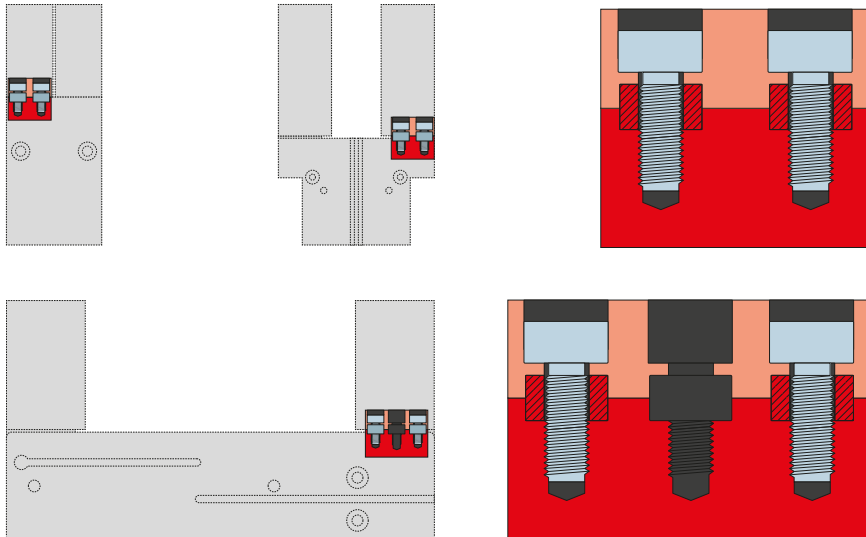
### 1-point magnetic field sensors – MFS

#### For non-contact sensing of the piston position

These sensors are installed in the C-groove of the gripper and detect the magnet attached to the piston of the gripper. To ensure use in a wide variety of space conditions, the sensors are available in two variants. While the horizontal MFS02, with straight cable outlet, disappears into the C-groove of the gripper almost completely, the vertical MFS01 is taller, but has a cable outlet that is offset at an angle of 90°. The variants are available in versions with 5 m cables with exposed leads and 0,3 m cable with connector.



## CONNECTIONS / OTHER



### Centering sleeves

#### For defined position measurement of the gripper fingers

The centering sleeves are inserted into the fits of the gripper jaws to define the position of the gripper fingers. The centering sleeves are comparable to a pin connection.