

# SUCTION CUPS

## SERIES NS / SFK

1

Series NS / SFK / Suction cups

### ► SERIES NS - KNOBBED VACUUM CUPS



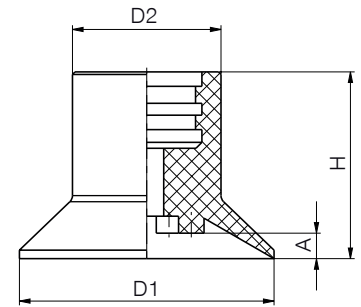
#### ► Range of applications

Flat and unstable surfaces

#### ► Special features

Knobs prevent thin material being sucked in

High stability



► Technical Data	
Versions	Material Color Heat Resistant Shore hardness Add to part no.
Standard	Nitrile rubber black -20° C - +110° C 65 +/- 3 -
Antistatic	Nitrile rubber black -20° C - +110° C 65 +/- 3 NA (e.g. NS10NA)
Heat-resistant	Caoutchouc silicone blue -55° C bis +180° C 60 +/- 5 SI (e.g. NS10SI)
Food-handling	Caoutchouc silicone white -55° C bis +180° C 60 +/- 5 L (e.g. NS10L)
Antistatic	Caoutchouc silicone black -20° C bis +150° C 55 +/- 5 SA (e.g. NS10SA)
Low-wear	Polyurethan red -20° C bis +150° C 82 +/- 5 on request

Order no.	► Technical Data					
	NS10	NS15	NS18	NS24	NS30	NS40
Vacuum force theoretical [N]*	6	14	20	36	57	101
Volume [cm³]	0.3	0.4	0.5	2.2	3	5.2
Connection type	1	1	1	2	2	2
Dimension A [mm]	1	1.5	0.8	3.5	3	3.5
Dimension D1 [mm]	10	15	18	24	30	40
Dimension D2 [mm]	10	10	10	16	17.5	18
Dimension H [mm]	12	12	12	22	22	22

Order no.	► Technical Data				
	NS50	NS60	NS70	NS85	NS100
Vacuum force theoretical [N]*	157	226	308	454	628
Volume [cm³]	8.4	12	20.5	30	41
Connection type	2	2	2	2	2
Dimension A [mm]	3.5	3.5	3.5	3.5	3.5
Dimension D1 [mm]	50	60	70	85	100
Dimension D2 [mm]	19	19	19	19	19
Dimension H [mm]	22	22	22	22	22

\*at 0.8 bar Vacuum

► **SERIES SFK - BELLOWS CUP**



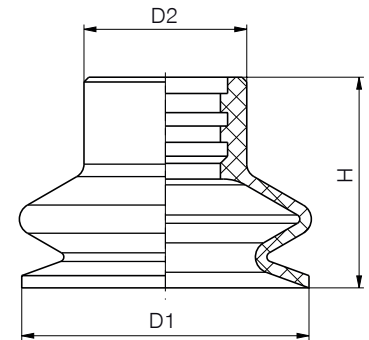
► **Range of applications**

Slightly curved, inclined and uneven surfaces

► **Special features**

Compensates differences in height

The suction process creates a lifting effect



► <b>Technical Data</b>	
<b>Versions</b>	<b>Material</b> <b>Color</b> <b>Heat Resistant</b> <b>Shore hardness</b> <b>Add to part no.</b>
Standard	Nitrile rubber      black      -20° C - +110° C      65 +/- 3      -
Antistatic	Nitrile rubber      black      -20° C - +110° C      65 +/- 3      NA (e.g. SFK24NA)
Heat-resistant	Caoutchouc silicone      blue      -55° C bis +180° C      60 +/- 5      SI (e.g. SFK24SI)
Food-handling	Caoutchouc silicone      white      -55° C bis +180° C      60 +/- 5      L (e.g. SFK24L)
Antistatic	Caoutchouc silicone      black      -20° C bis +150° C      55 +/- 5      SA (e.g. SFK24SA)
Low-wear	Polyurethan      red      -20° C bis +150° C      82 +/- 5      on request

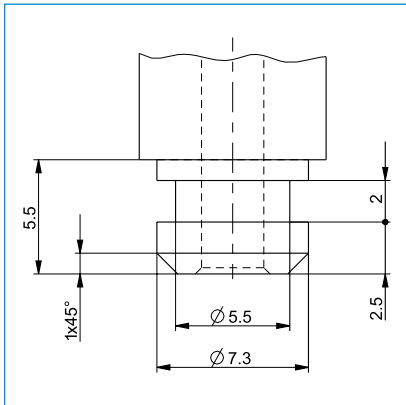
<b>Order no.</b>	► <b>Technical Data</b>		
	<b>SFK24</b>	<b>SFK30</b>	<b>SFK40</b>
Vacuum force theoretical [N]*	36	57	101
Lifting force [N]	11	14.5	28
Volume [cm³]	3.8	5.8	10.4
Connection type	2	2	2
Dimension D1 [mm]	24	30	40
Dimension D2 [mm]	17	17	17
Dimension H min. [mm]	13	15	20
Dimension H max. [mm]	19	22	27

\*at 0.8 bar Vacuum

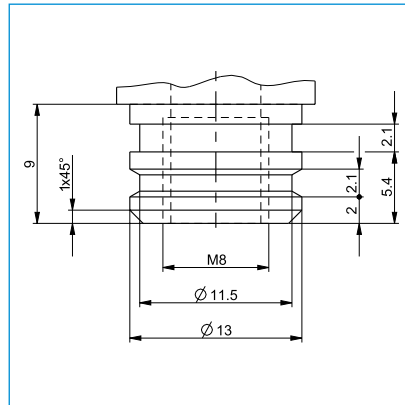
# SUCTION CUPS

## CONNECTION TYPES

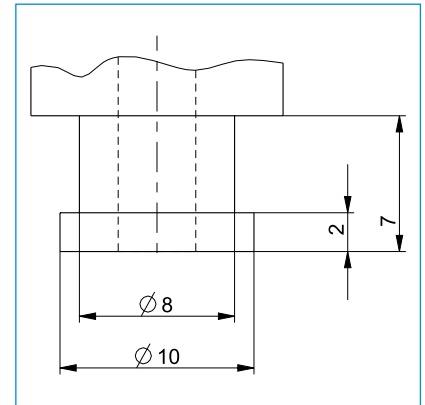
Suction Cups, Adapters and Compensation Modules with the same connection type can be variably combined. Dimensions of each connection type can be taken from drawings given below.



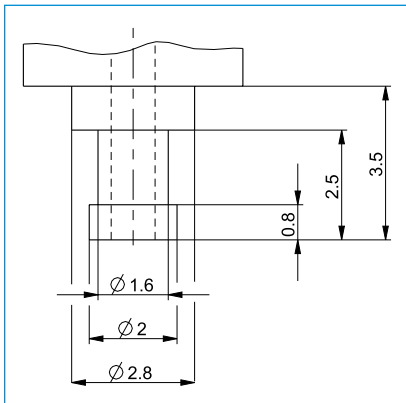
■ Connection type 1



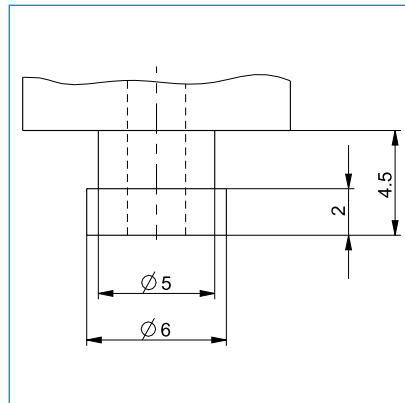
■ Connection type 2



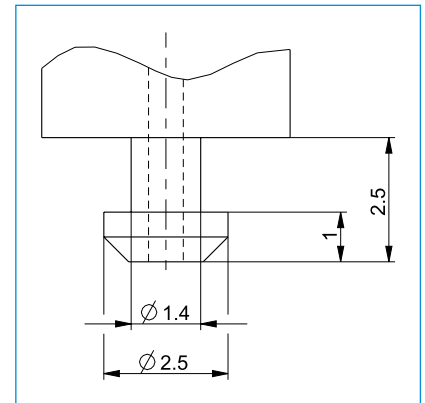
■ Connection type 3



■ Connection type 4



■ Connection type 5



■ Connection type 6