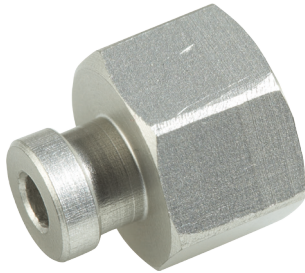


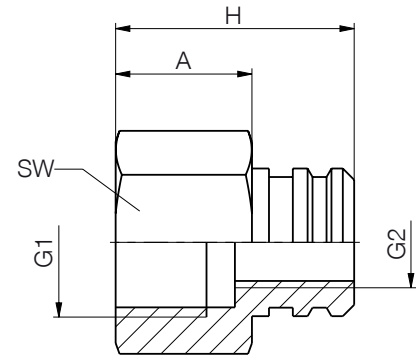
ADAPTERS

SERIES S

► SERIES SI - ADAPTER



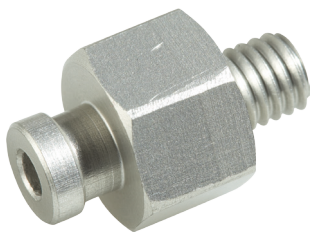
- **Special features**
- Internal thread
 - Vacuum connection



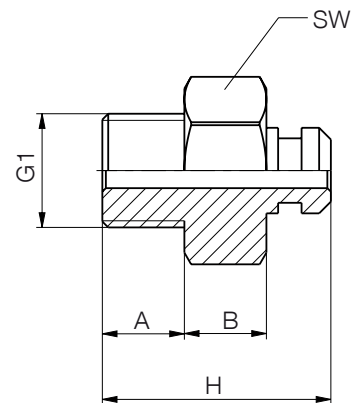
► Technical Data

Order no.	SI1-8	SI1-4
Connection type	1	2
G1	G1/8"	G1/4"
G2		M8
Dimension A [mm]	10	12
Dimension H [mm]	15.5	21
SW [mm]	14	17

► SERIES SAM/SA - ADAPTER



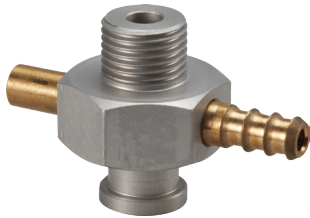
- **Special features**
- External thread
 - Vacuum connection



► Technical Data

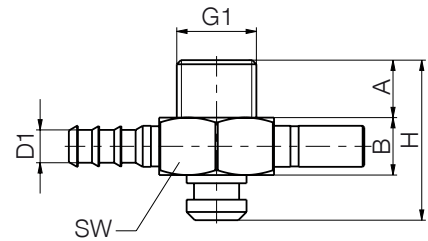
Order no.	SAM5	SAM5-01	SA1-8	SA1-8-06	SA1-4
Connection type	4	5	1	3	2
G1	M5	M5	G1/8"	G1/8"	G1/4"
Dimension A [mm]	5	5	7	7	8
Dimension B [mm]	7	7	7	8	8
Dimension H [mm]	15.5	16.5	19.5	22	25
SW [mm]	10	10	14	17	17

► SERIES SAVM/SAV/VGS-M - ADAPTER



► Special features

- External thread
- Integrated vacuum generator
- Compressed air connection



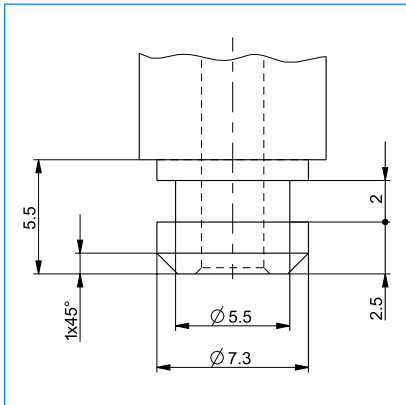
► Technical Data

Order no.	SAVM5	SAVM5-01	SAV1-8	SAV1-8-03	SAV1-4
Connection type	4	5	1	3	2
Vacuum [bar]	-0.8	-0.8	-0.8	-0.8	-0.8
Vacuum level [%]	81	81	78	78	82
Max. suction capacity [l/min]	4	4	3.5	3.5	11.5
Air consumption suction [l/min]	13	12	14.5	14.5	27
Operating pressure [bar]	6	6	6	6	6
Weight [g]	10	15.5	16.8	16.8	30.4
G1	M5	M5	G1/8"	G1/8"	G1/4"
Dimension A [mm]	5	5	7	7	8
Dimension B [mm]	7	7	7	8	8
Dimension D1 [mm]	3	3	4	4	4
Dimension H [mm]	15.5	16.5	19.5	22	25
SW [mm]	10	10	14	17	17

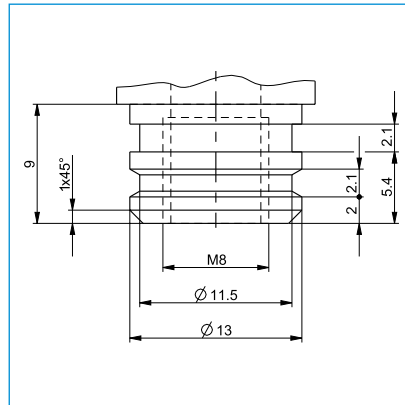
SUCTION CUPS

CONNECTION TYPES

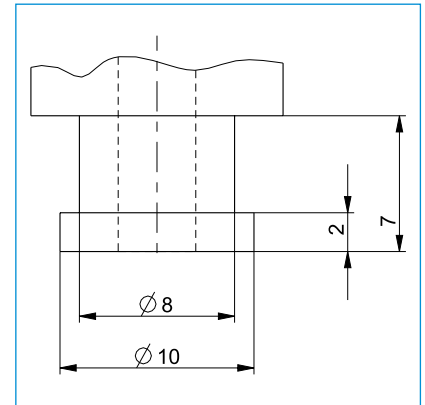
Suction Cups, Adapters and Compensation Modules with the same connection type can be variably combined. Dimensions of each connection type can be taken from drawings given below.



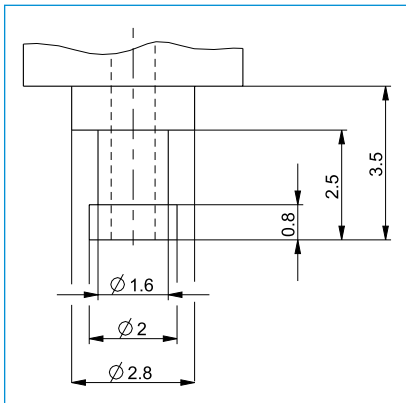
■ Connection type 1



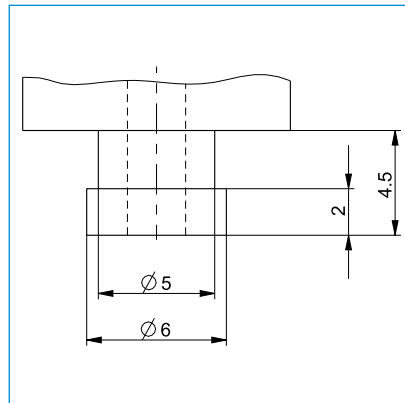
■ Connection type 2



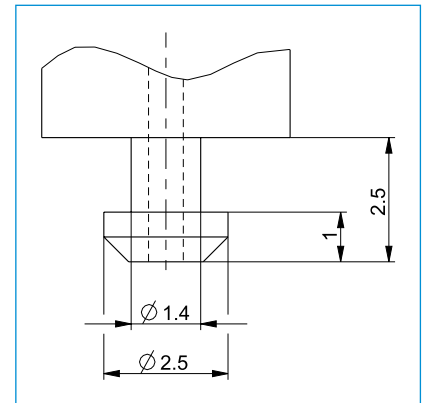
■ Connection type 3



■ Connection type 4



■ Connection type 5



■ Connection type 6