

NEEDLE GRIPPER SERIES SCH

▶ PRODUCT ADVANTAGES



▶ Smooth stroke configuration

Adjust the needle stroke individually and smoothly via the direct needle setting

▶ Flat structure

Due to its compact design, you save precious space in your machine

▶ Query about magnetic field sensor technology

Detecting the end position allows you to have faster cycle times and an integrated control system

▶ SERIES CHARACTERISTICS

Installation size

SCHXX



5 million maintenance-free cycles (max.)



Magnetic field sensor

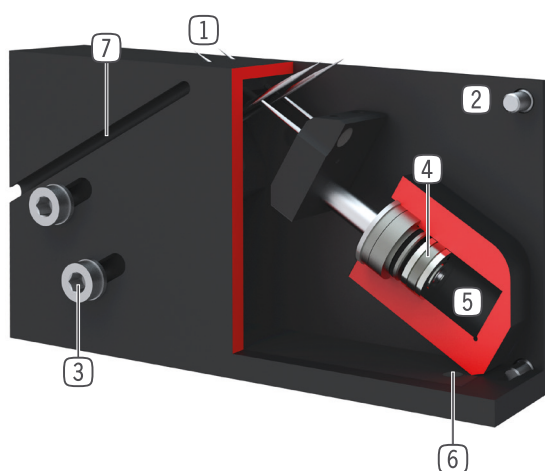


IP30





► BENEFITS IN DETAIL



- ① **Extending needles**
 - gripping by penetration
- ② **Robust, lightweight housing**
 - Hard-coated aluminum alloy
- ③ **Stroke adjustment**
 - by shifting in an elongated hole
- ④ **Drive**
 - two double-acting pneumatic cylinders
- ⑤ **Energy supply**
- ⑥ **Mounting and positioning**
- ⑦ **Sensing slot**
 - mounting and positioning of magnetic field sensors

► TECHNICAL DATA

Installation size	Needle stroke adjustable	Needle diameter	Weight	IP class
	[mm]	[mm]	[kg]	
SCH20	0 - 6	1.2	0.35	IP30
SCH23	0 - 6	3	0.37	IP30

► FURTHER INFORMATION IS AVAILABLE ONLINE



All information just a click away at: www.zimmer-group.com. Find data, illustrations, 3D models and operating instructions for your installation size using the order number for your desired product. Quick, clear and always up-to-date.


NEEDLE GRIPPER

INSTALLATION SIZE SCH20


▶ PRODUCT SPECIFICATIONS



▶ INCLUDED IN DELIVERY



4 [piece]
Spare needle
CNAD00200




1 [piece]
Pneumatic face hose
PYA

▶ RECOMMENDED ACCESSORIES

SENSORS



MFS02-K-KHC-P1-PNP
Magnetic field sensor straight, cable 5 m



MFS02-S-KHC-P1-PNP
Magnetic field sensor straight, cable 0.3 m - M8 connector

CONNECTIONS / OTHER



KAG500
Plug-in connector Straight Cable 5m - Socket M8 (female)

CONNECTIONS / OTHER



KAW500
Plug-in connector Angled Cable 5m - Socket M8 (female)



S8-G-3
Plug-in connector customizable Straight - Connector M8



S12-G-3
Plug-in connector customizable Straight - Connector M12

Order no.	Technical data
	SCH20-B
Needle stroke adjustable min. [mm]	0
Needle stroke adjustable max. [mm]	6
Number of needles [piece]	4
Needle diameter [mm]	1.2
Retract time / Extend time [s]	0.02
Repetition accuracy +/- [mm]	0.05
Operating pressure min. [bar]	4
Operating pressure max. [bar]	8
Nominal operating pressure [bar]	6
Operating temperature min. [°C]	5
Operating temperature max. [°C]	+80
Air volume per cycle [cm ³]	5
Weight [kg]	0.35

