

SUCTION CUPS

SERIES SPO / SP

1

Series SPO / SP / Suction cups

► SERIES SPO - SUCTION PLATE OVAL



► Range of applications

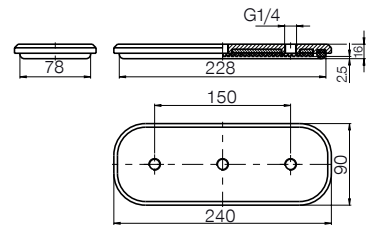
Rough, highly textured surfaces, such as corrugated metal and wood, etc...

► Special features

Highly adjustable sealing face

Robust and strong with aluminium carrier plate

NBR knobbed surface to absorb lateral forces



► Technical Data

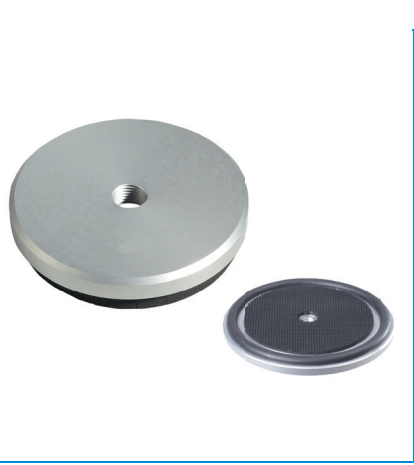
Versions	Material	Color	Heat Resistant	Shore hardness	Add to part no.
Foam rubber	EPDM	black	-30° C bis +80° C	15 +/- 5	EPDM (e.g. SPO230-80-10EPDM)

► Technical Data

Order no.	SPO230-80-10EPDM
Vacuum force theoretical [N]*	1318
Volume [cm³]	221

*at 0.8 bar Vacuum

► SERIES SP - SUCTION PLATE

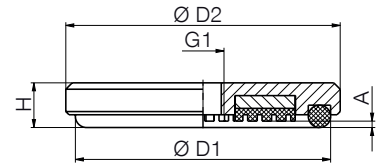


► Range of applications

Rough, highly textured surfaces, such as corrugated metal and wood, etc...

► Special features

- Highly adjustable sealing face
- Robust and strong with aluminium carrier plate
- NBR knobbed surface to absorb lateral forces



Versions		► Technical Data			
Material	Color	Heat Resistant	Shore hardness	Add to part no.	
Foam rubber	EPDM	black	-30° C bis +80° C	15 +/- 5	EPDM (e.g. SP80-7EPDM)

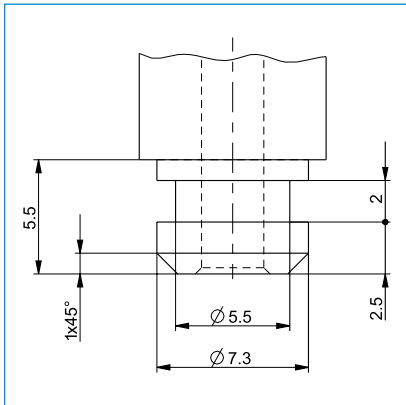
Order no.	► Technical Data		
	SP80-7EPDM	SP120-10EPDM	SP160-10EPDM
Vacuum force theoretical [N]*	274	628	1232
Volume [cm³]	55	131	277
G1	G1/4"	G1/4"	G1/4"
Dimension A [mm]	2.5	2.5	2.5
Dimension D1 [mm]	80	120	160
Dimension D2 [mm]	86	128	168
Dimension H [mm]	14	15	16

*at 0.8 bar Vacuum

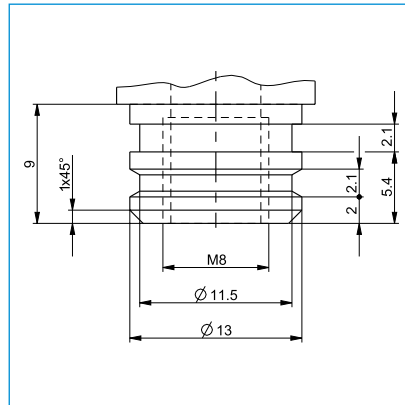
SUCTION CUPS

CONNECTION TYPES

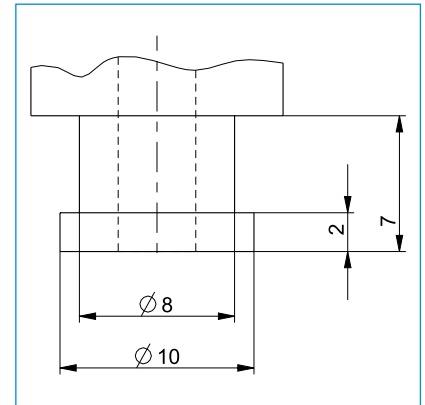
Suction Cups, Adapters and Compensation Modules with the same connection type can be variably combined. Dimensions of each connection type can be taken from drawings given below.



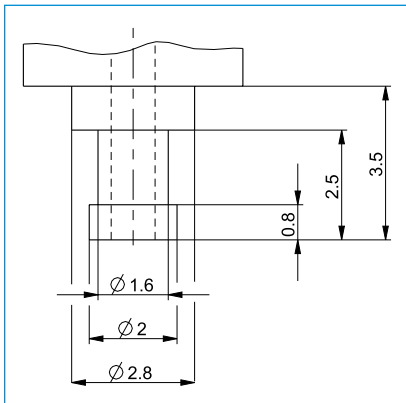
■ Connection type 1



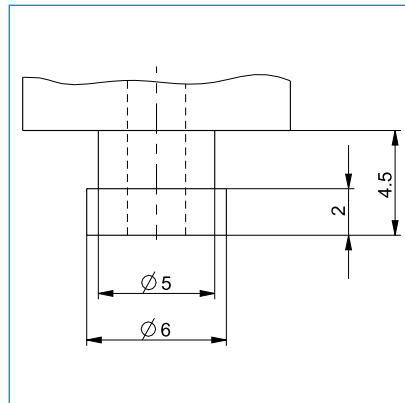
■ Connection type 2



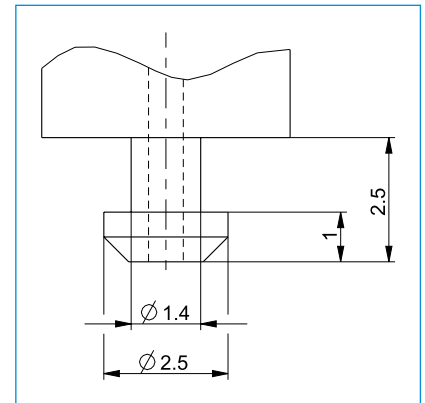
■ Connection type 3



■ Connection type 4



■ Connection type 5



■ Connection type 6