

AXIS COMPENSATION MODULES

SERIES XYR

▶ PRODUCT ADVANTAGES



▶ Adjustable balancing force and stroke

Using adjusting screws, you can adjust the properties of the equalizer optimally to your application in the shortest amount of time

▶ Flat design

This structure reduces the moment load for your robot to a minimum and makes it possible to use smaller and more affordable sizes

▶ Can be fixed in place centrally or de-centrally

Depending on the requirement, you can clamp or centrally lock the equalizer position. An aid for optimal processes

▶ THE BEST PRODUCT FOR YOUR APPLICATION



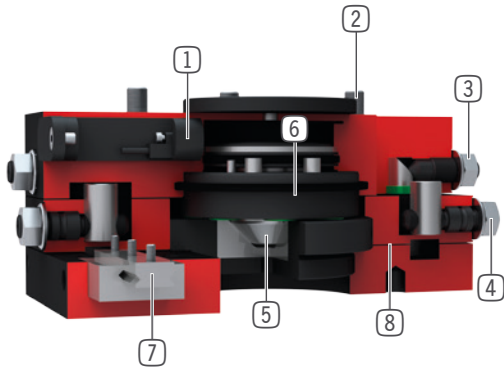
▶ Our products welcome the challenge!

Extreme conditions, all over the world—our tried and tested components and systems give you endless possibilities.

Find the best product for your specific use:

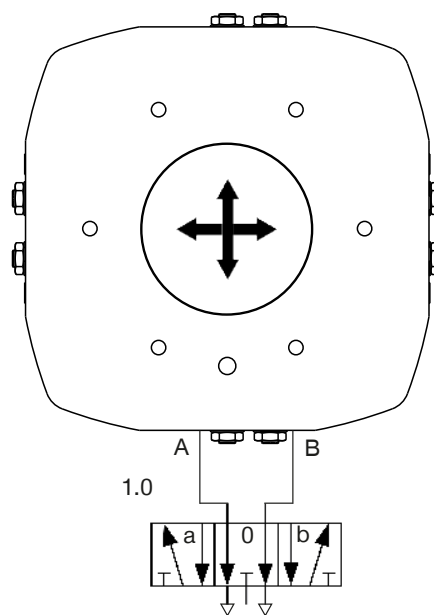
www.zimmer-group.com

► BENEFITS IN DETAIL



- ① **Piston position sensing**
 - via magnetic field sensors
 - included in scope of delivery
- ② **Robust, lightweight housing**
 - Hard-coated aluminum alloy
 - partial mounting circle in accordance with EN ISO 9409-1
 - lowest overall height
- ③ **Compensation force**
 - adjustable via adjustment screw
- ④ **Compensation stroke**
 - infinitely variable
- ⑤ **Locking piston**
 - central via cone
- ⑥ **Eccentric locking**
 - via pneumatic piston with frictional contact
- ⑦ **Linear guide**
 - for highest force and moments capacity
- ⑧ **Compensation plate**
 - to balance position errors in XY-direction

► PNEUMATIC PLANS



Valve	Status	Locking piston locked	Locking piston unlocked	Eccentric clamping activated	Eccentric clamping deactivated
1.0	a	█	█	█	█
	0	█	█	█	█
	b	█	█	█	█

AXIS COMPENSATION MODULES

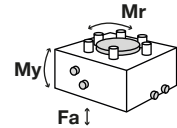
INSTALLATION SIZE XYR1063

▶ PRODUCT SPECIFICATIONS



▶ Forces and moments

Shows static forces and moments



Mr [Nm]	50
My [Nm]	50
Fa [N]	625

▶ INCLUDED IN DELIVERY



Mounting block

KB8K



Cylinder Screw

C7984060129

▶ RECOMMENDED ACCESSORIES



Alternate proximity bracket

KHA1000-8



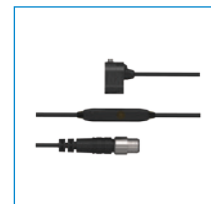
Inductive proximity switch - Connector M8

NJ8-E2S



Straight Fittings - Quick Connect Style

GVM5



Piston position sensing

ZUB088934



Inductive proximity switch - Cable 5 m

NJ8-E2



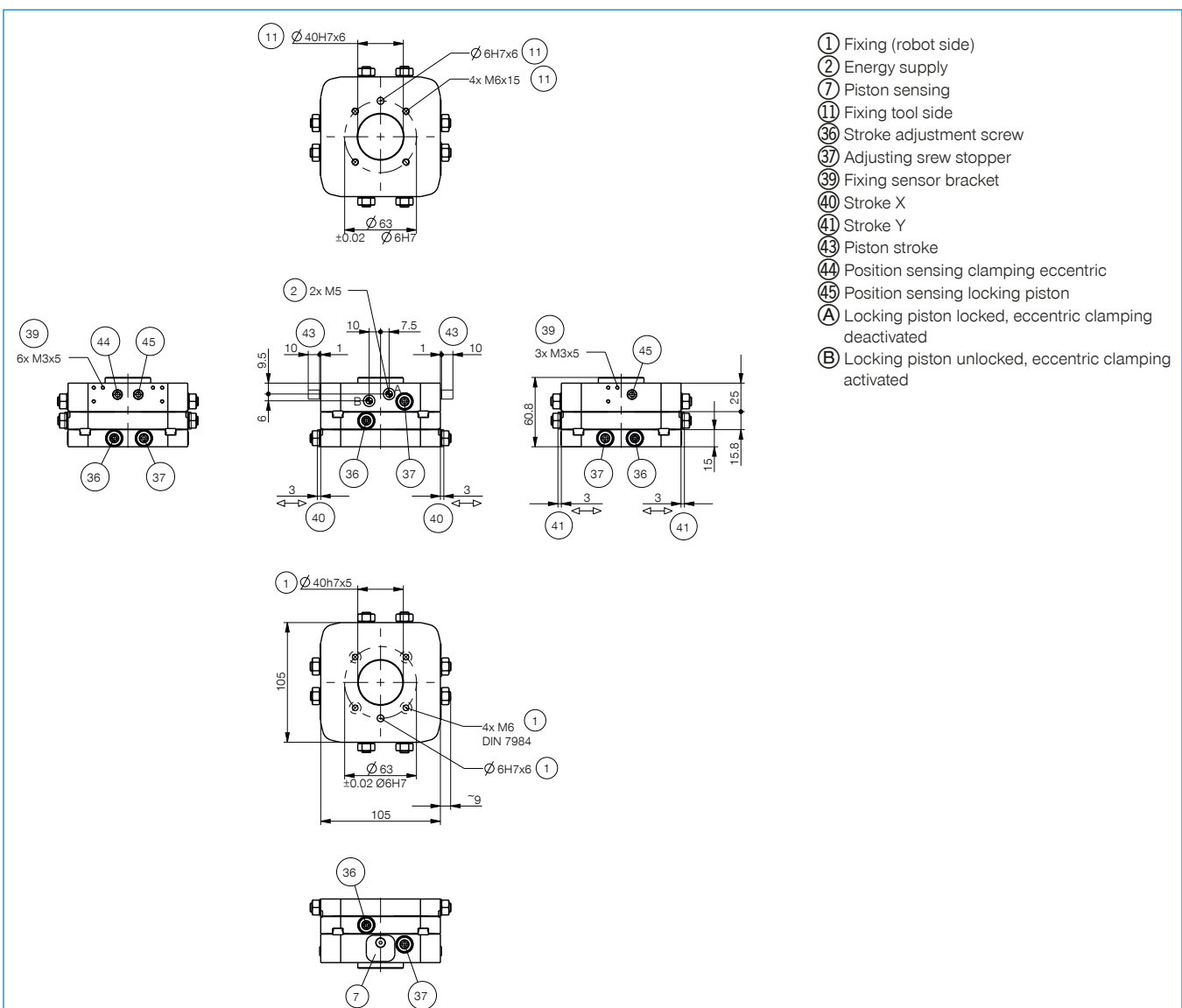
Angled Fittings - Quick Connect Style

WVM5

Order no.	Technical Data*
Connecting flange according EN ISO 9409-1	TK 63
Recommended handling weight [kg]**	7
Stroke X/Y level +/- [mm]	3
Retention force centred [N]	300
Retention force decentred [N]	100
Operating pressure max. [bar]	8
Operating temperature min. [°C]	5
Operating temperature max. [°C]	+80
Air volume per cycle [cm³]	6.5
Moment of inertia [kg/cm²]	38.8
Weight [kg]	2

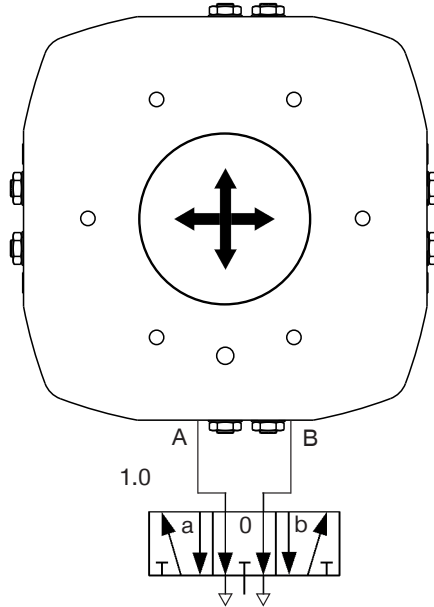
*All data measured at 6 bar

**with central attachment



AXIS COMPENSATION MODULES SERIES XYR

► PNEUMATIC PLANS



Valve	Status	Locking piston locked	Locking piston unlocked	Eccentric clamping activated	Eccentric clamping deactivated
1.0	a	High	Low	Low	High
	0	Low	High	High	Low
	b	Low	Low	Low	High